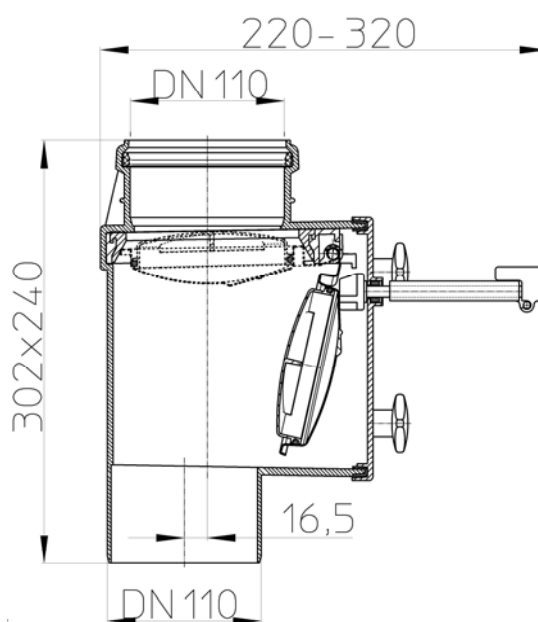
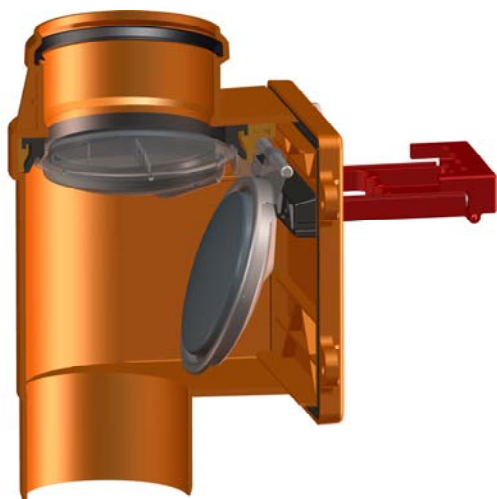


PRODUCT - INFORMATION # 02 / 2011

New at HL



HL 710.1V Vertical anti-flooding valve



Product description

One of the most sophisticated challenges of drainage is avoiding backwater. HL applies itself to this task since years. Additional to the well-known series of horizontal anti-flooding valves, HL has developed a new valve, which works in vertical position. This design is especially for difficult installation circumstances, where a horizontal installation is not possible or extremely difficult.

Function:

A floating body, which is integrated into the normal stainless steel valve, cares for the necessary uplift and closes the valve in case of backwater.

Attitudes:

- Connection: DN110
- Material: Body-ABS, flap-stainless steel
- Inlet/Outlet: Vertical
- Including manual closure and cleaning access



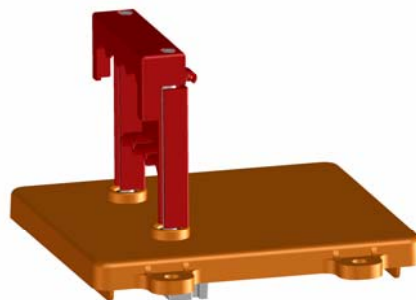
HL0710.1VE

Flap including floating body for vertical anti-flooding valve HL710.1V



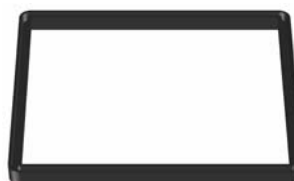
HL0710.31E

Lid with manual closure



HL01078D

Gasket for the lid



HL01046D

Gasket for flap DN110



HL0710.8E

Nuts (4 pieces)



- **Accessories:** ---
- **Package:** Single in carton box -- 63 pieces on pallet
- **Weight (gross):** 2,54 kg/piece -- 180 kg/pallet
- **EAN-Code:** 9003076032907
- **Price:** see price list