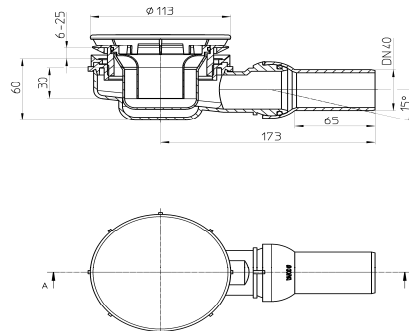


## PRODUCT - INFORMATION # 05 / 2011

**New at HL**



# HL521 Trap for shower trays flat DN40 for holes $\varnothing 90\text{mm}$



### Product description

From now on the shower tray trap HL521 is available, which may be used in case of a flat substructure, because of his height of 60mm. The outlet pipe DN40 is made of PE and therefore may be connected to the waste pipe by welding or plugging. The ball joint is convertible by  $15^\circ$  and simplifies a stressless installation.

Cover plate made of stainless steel!

#### Attitudes/Usage:

##### ● **Installation: Fits to nearly every shower tray**

The drain body, together with screw-on valve and the gasket is connected with the shower tray by screwing with the attached lot cover/installation wrench. This wrench also protects the tray hole during construction. For thicker shower trays a longer screw-on valve is included. The additional wedge-shaped ring may be left off at non-standard rectangular holes. Therefore the siphon fits to nearly every shower tray.

**Cleaning: Only two steps are necessary:**

- Remove cover
- Remove trap and clean

**Trap:** Removable, therefore access to the waste pipe in case of plugging.

**Height of water seal:** 30 mm – not according to the standard!

**Gasket:** Is pre-fixed at the drain body and therefore may not slip out of position during installation.







**Connection:** DN40, pluggable and weldable, convertible by 15°.

**Installation height:** 60 mm

**Capacity:** 0,42 l/s

## Equipment

<p><b>HL0521.0E</b> <b>Lot cover/installation wrench</b></p>	
<p><b>HL0521.1E</b> <b>Screw-on valve short (6 – 12 mm) + long (12 – 15 mm) 30 + 45 mm</b></p>	
<p><b>HL0521.3E</b> <b>Trap 2 pieces</b></p>	
<p><b>HL0521.4E</b> <b>Wedge-shaped ring</b></p>	

<p style="text-align: center;"><b>HL01104D</b> <b>Gasket</b></p>	
<p style="text-align: center;"><b>HL01105D</b> <b>O – Ring for the trap</b></p>	
<p style="text-align: center;"><b>HL521.1</b> <b>Cover ø 113 mm</b> <b>(Stainless steel, polished/PP)</b></p>	
<div style="display: flex; justify-content: space-around; align-items: center;">    </div> <ul style="list-style-type: none"> <li>● <b>Accessories:</b> ----</li> <li>● <b>Package:</b> Single in carton box</li> <li>● <b>Weight:</b> 0,463 kg/piece</li> <li>● <b>EAN-Code – Single:</b> 9003076033263; <b>Multiple:</b> 9003076033270</li> <li>● <b>Price:</b> see attached price-list</li> </ul>	