

SIFONE

HL

ABLÄUFE

DN40 = 80-315

DN32 = 80-315

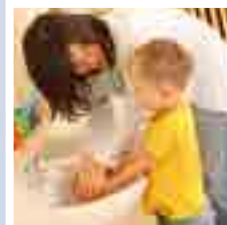
DN40 = 350

DN32 = 350

DN40 = 280

DN32 = 285

29



DN40

DN32

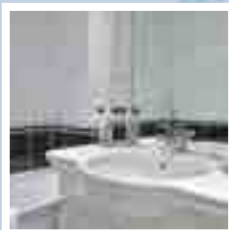
DN40 = 95

DN32 = 90



HL® Siphons

Washbasin



HL® Washbasin siphons

Basic information about design and installation

Siphons made of plastic, e.g. polypropylene, have different advantages compared to conventional metal siphons:

▲ Convenient in installation

The length adjustment of plastic parts is much faster and saver than of metal parts. Because of the material properties of plastic, gaskets and nuts may be opened and closed tightly time after time, only by screwing by hand.

▲ Easy to maintain

HL washbasin siphons are mostly equipped with cleaning possibilities. Cleaning trays may be removed and cleaned with little effort and without tools. Items like jewellery, which fell into the trap, cannot get into the drain pipe.

▲ Space saving and handicap-accessible

Most washbasins nowadays are furnished with bathroom cabinets. As the siphon is invisible, it has not to fit to the bathroom design. To get more usable space under the washbasin, the siphon should be situated near the wall (possible with HL137). Also these traps simplify the access to the washbasin for disabled people with wheelchairs (HL137 and HL134.0).

▲ Flexibility

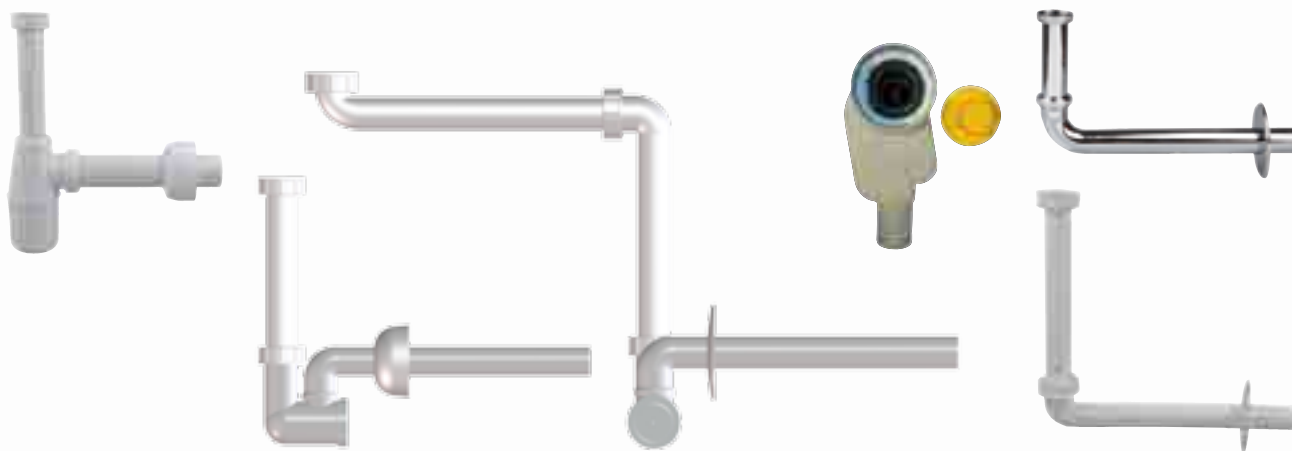
As the connection between washbasin, siphon and the wall-side inlet is mostly not in line with the waste outlet, it is necessary with standard siphons, to use bows to reach the waste pipe. By using siphons with ball-joints, the plumber saves these additional fittings. Beside of that, you may also use the integrated hose nozzle, to connect it to washing devices, if a special trap (e.g. HL400) is missing.

Relevant standards/directives

- EN 274 Drains and siphons for sanitary equipment
- DIN 19541 Siphons for special purposes

HL® Washbasin siphons – Products – Overview

Siphons

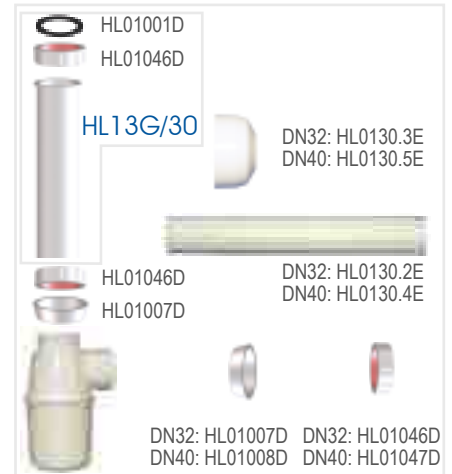
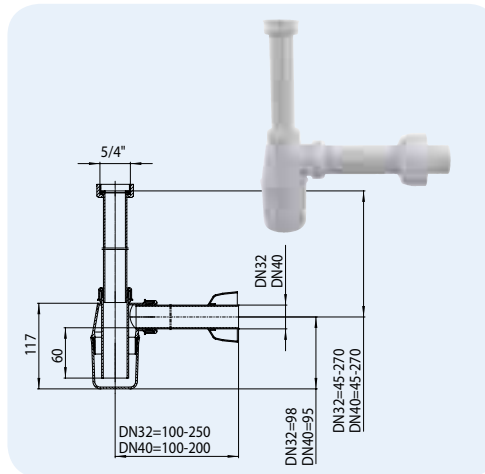


Product	HL132	HL135	HL137	HL134.0	HL134.1C HL134.1K
Description	Washbasin bottle trap	Washbasin and bidet siphon	Space saving siphon	Flush mounted washbasin siphon	Installation kit for HL134.0
Function	Siphoning and connection of washbasins	Siphoning and connection of bidets/washbasins	For the space saving and handicap-accessible siphoning of washbasins	For handicap-accessible washbasins	Connection between the flush mounted siphon HL134.0 and the washbasin

HL® Washbasin siphons – Products – Data

HL132 Washbasin siphon

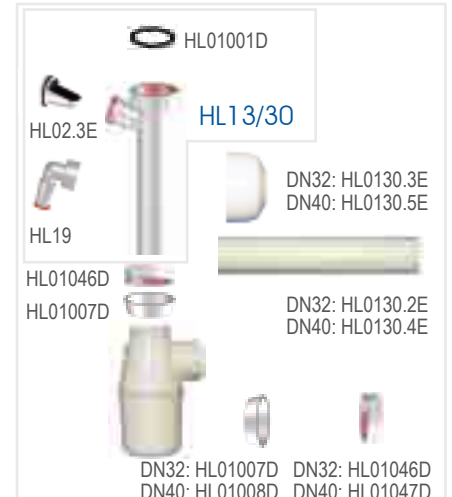
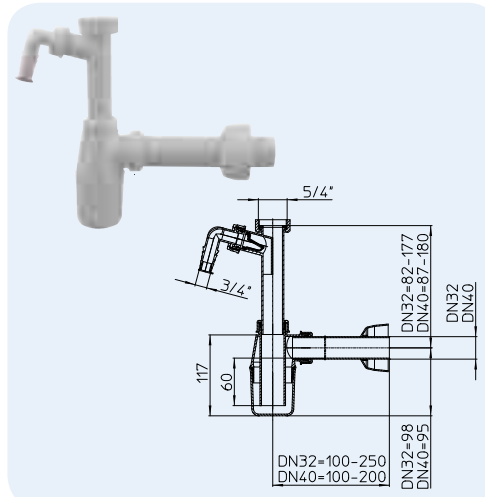
Data	
Material	PP
Connection dimension	5/4" Cap nut
Outlet dimension	HL132/30: DN32 HL132/40: DN40 horizontal
Standard	EN 274
Recommended for	replacement of standard metal siphons, temperature-resistant up to 95 °C
Including	Adjustable immersion tube, rosette



HL-No.	Dimension	Weight	EAN	Piece/package
132/30	DN32 x 5/4"	180 g	+301324	1
132/40	DN40 x 5/4"	185 g	+321322	1

HL132.1 Washbasin siphon with hose nozzle

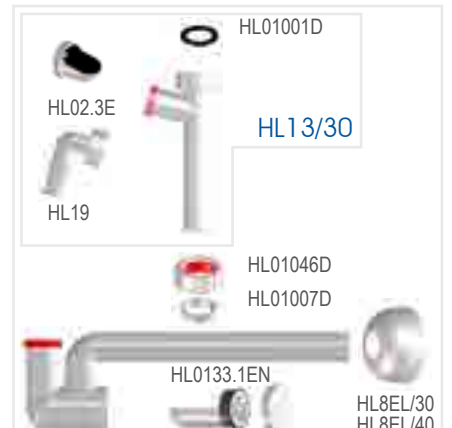
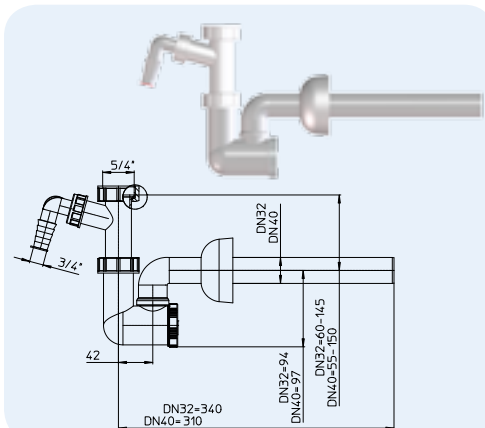
Data	
Material	PP
Connection dimension	5/4" Cap nut
Outlet dimension	HL132.1/30: DN32 HL132.1/40: DN40 horizontal
Standard	EN 274
Recommended for	temperature-resistant up to 95 °C
Including	Adjustable immersion tube, rosette, backwater membrane hose nozzle



HL-No.	Dimension	Weight	EAN	Piece/package
132.1/30	DN32 x 5/4"	220 g	+899999	10
132.1/40	DN40 x 5/4"	225 g	+999996	10

HL133 Washbasin siphon with hose nozzle and cleaning tray

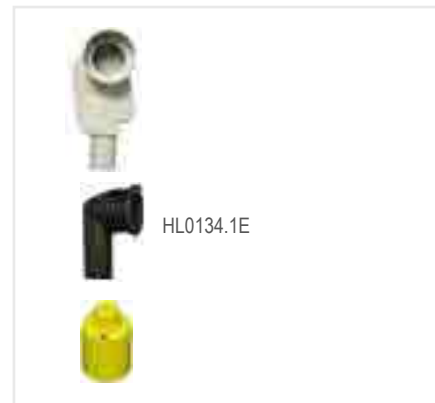
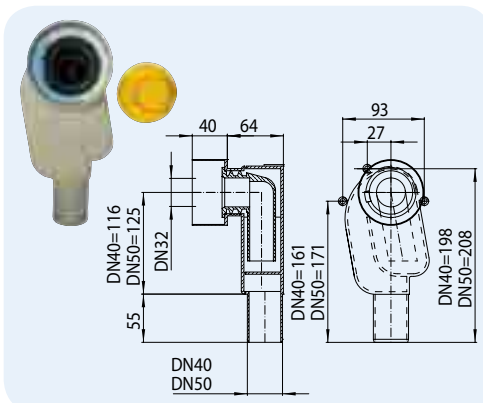
Data	
Material	PP
Connection dimension	5/4" Cap nut
Outlet dimension	HL133/30: DN32 HL133/40: DN40 horizontal, rotatable
Standard	EN 274
Recommended for	temperature-resistant up to 95 °C
Including	Adjustable immersion tube, rosette, backwater membrane hose nozzle, cleaning tray : relieves the retrieving of lost jewellery



HL-No.	Dimension	Weight	EAN	Piece/package
133/30	DN32	220 g	+321339	10
133/40	DN40	225 g	+301331	10

HL134.0 Flush mounted washbasin siphon

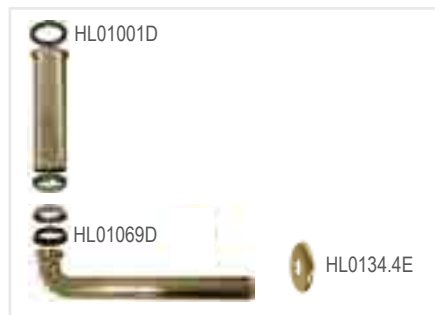
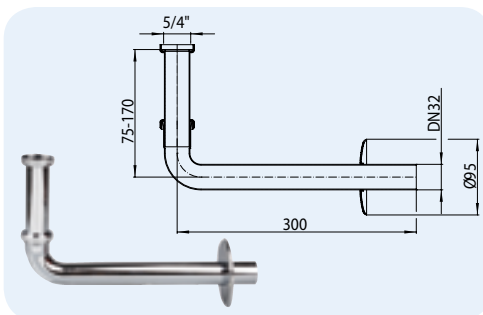
Data	
Ablaufleistung	HL134.0/40: 0,38 l/s HL134.0/50: 0,38 l/s
Material	PP
Connection dimens.	DN32
Outlet dimension	HL134.0/40: DN40 HL134.0/50: DN50 vertical
Standard	EN 274
Recommended for	Flush mounted siphon for washbasins, in combination with HL134.1C or 134.1K; for handicap-accessible washbasins
Including	Inlet element for easy cleaning of the siphon; relieves the access to the waste pipe



HL-No.	Dimension	Weight	EAN	Piece/package
134.0/40	DN40	380 g	+301348	10
134.0/50	DN50	385 g	+302345	10

HL134.1C Brass connector, chrome-plated

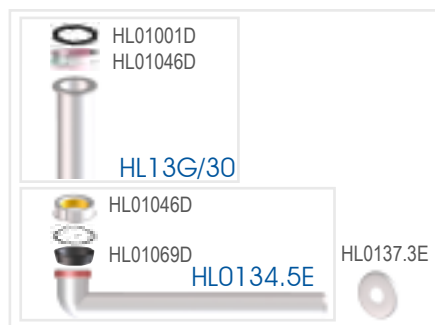
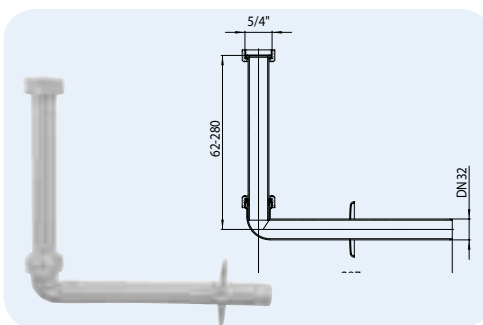
Data	
Material	Brass, chrome-plated
Connection dimension	5/4" Cap nut
Outlet dimension	DN32 horizontal
Standard	EN 274
Recommended for	Connection between flush mounted siphon HL134.0 and the washbasin
Including	Adjustable immersion tube



HL-No.	Dimension	Weight	EAN	Piece/package
134.1C	DN32 x 5/4"	290 g	+311347	10

HL134.1K Plastic connector

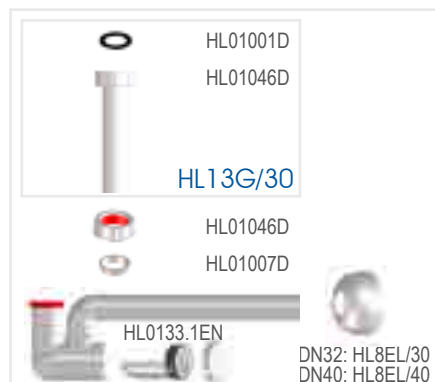
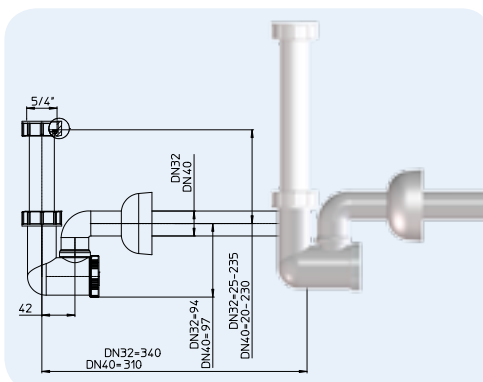
Data	
Material	PP
Connection dimens.	5/4" Cap nut
Outlet dimension	DN32 horizontal
Standard	EN 274
Recommended for	Connection between flush mounted siphon HL134.0 and the washbasin; temperature-resistant up to 95 °C
Including	Adjustable immersion tube



HL-No.	Dimension	Weight	EAN	Piece/package
134.1K	DN32 x 5/4"	140 g	+313341	10

HL135 Washbasin and bidet siphon

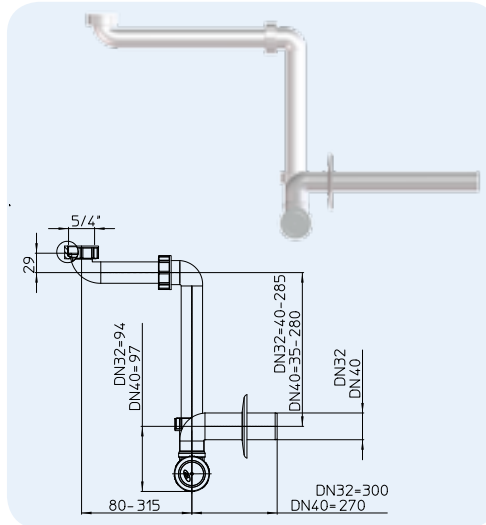
Data	
Material	PP
Connection dimension	5/4" Cap nut
Outlet dimension	HL135/30: DN32 HL135/40: DN40 horizontal, rotatable
Standard	EN 274
Recommended for	Washbasins and bidets, temperature-resistant up to 95 °C
Including	Adjustable immersion tube, cleaning tray; relieves the retrieving of lost jewellery



HL-No.	Dimension	Weight	EAN	Piece/package
135/30	DN32	215 g	+331352	10
135/40	DN40	220 g	+321353	10

HL137 Space saving siphon, Outlet horizontal

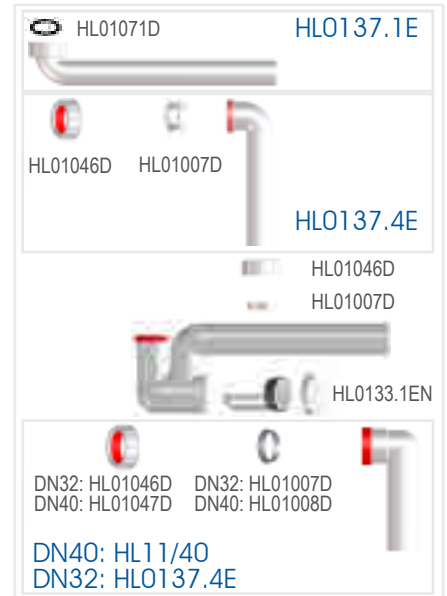
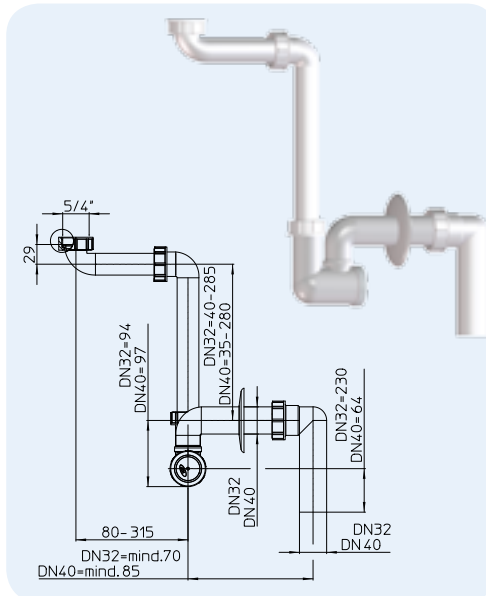
Data	
Material	PP
Connection dimension	5/4" Cap nut
Outlet dimension	137/30: DN32 137/40: DN40 horizontal
Standard	EN 274
Recommended for	Space saving installation in bathroom furnitures; or for handicap-accessable washbasins; temperature-resistant up to 95 °C
Including	cleaning tray: relieves the retrieving of lost jewellery; Adjustable immersion tube



HL-No.	Dimension	Weight	EAN	Piece/package
137/30	DN32 x 5/4"	300 g	+003976	10
137/40	DN40 x 5/4"	305 g	+003990	10

HL137.1 Space saving siphon, outlet vertical

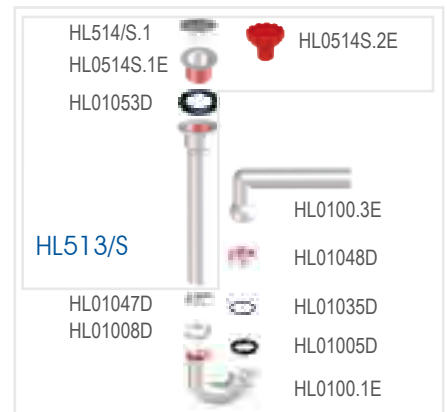
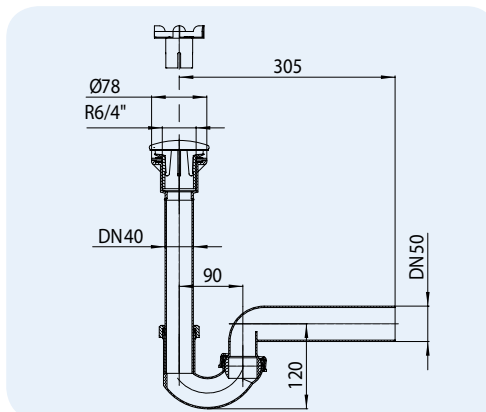
Data	
Material	PP
Connection dimension	5/4" Cap nut
Outlet dimension	137.1/30: DN32 137.1/40: DN40 vertical
Standard	EN 274
Recommended for	Space saving installation in bathroom furnitures; or for handicap-accessable washbasins; temperature-resistant up to 95 °C
Including	cleaning tray: relieves the retrieving of lost jewellery; Adjustable immersion tube



HL-No.	Dimension	Weight	EAN	Piece/package
137.1/30	DN32 x 5/4"	360 g	+006298	10
137.1/40	DN40 x 5/4"	355 g	+006335	10

HL513-100G/50 U-bended siphon

Data	
Material	PP
Connection dimension	Waste outlet Ø 60 – 65 mm
Outlet dimension	DN50 horizontal, rotatable by ball-joint
Standard	EN 274
Recommended for	Ceramic sinks like e.g Ideal Standard Duoro; temperature-resistant up to 95 °C
Including	Adjustable immersion tube

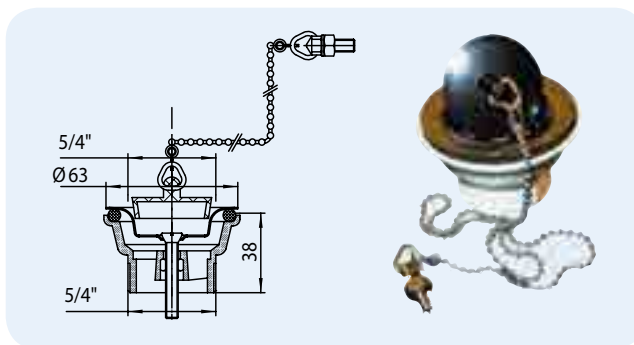


HL-No.	Dimension	Weight	EAN	Piece/package
513-100G/50	DN50 x Ø 60 – 65 mm	380 g	+029075	1

HL® Washbasin siphons – Accessories – Data

HL15.1 Waste outlet

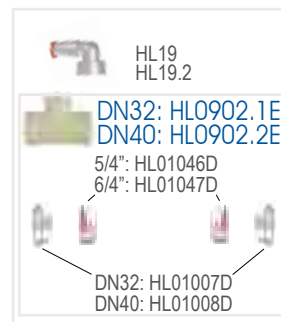
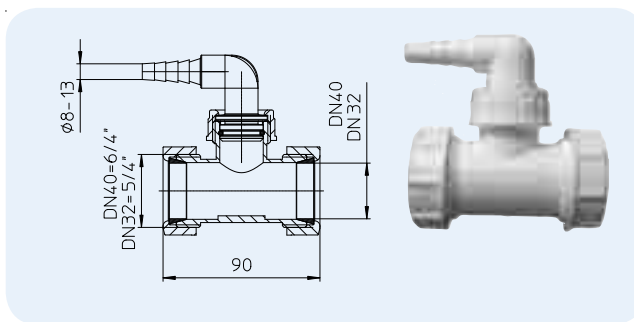
Data	
Material	PP
Connection dimension	5/4" Waste outlet
Outlet dimension	5/4" Thread
Standard	EN 274
Recommended for	Washbasin with integrated overflow
Including	Chain, screw and plug



HL-No.	Dimension	Weight	EAN	Piece/package
15.1	5/4" x 5/4"	85 g	+101511	10

HL19T T-connector

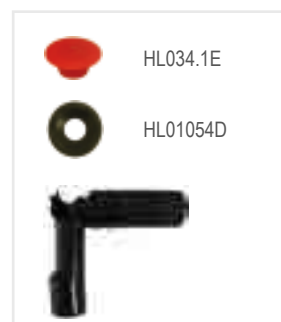
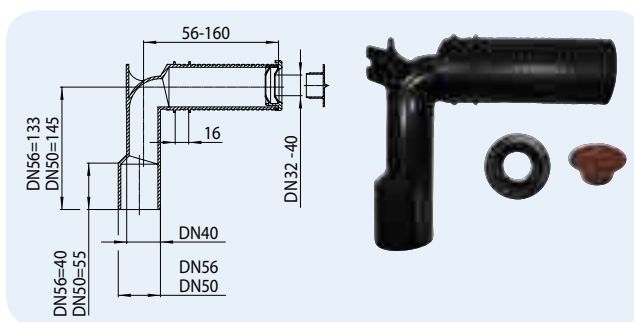
Data	
Material	PP
Connection dimension	19T: 3/4" Hose nozzle 19T.2: Ø 8 – 13 mm Hose nozzle
Outlet dimension	HL19T(.2)/30: DN32 HL19T(.2)/40: DN40
Standard	EN 274
Recommended for	Subsequent connection to washing devices; exclusively for vertical immersion tubes



HL-No.	Dimension	Weight	EAN	Piece/package
19T/30	DN32 x 5/4" - 1" x 3/4"	63 g	+004294	1
19T/40	DN40 x 6/4" - 1" x 3/4"	65 g	+004331	1
19T.2/30	DN32 x 5/4" - 1" x 8-13 mm	63 g	+004355	1
19T.2/40	DN40 x 6/4" - 1" x 8-13 mm	65 g	+004348	1

HL34 Angeled trap connector

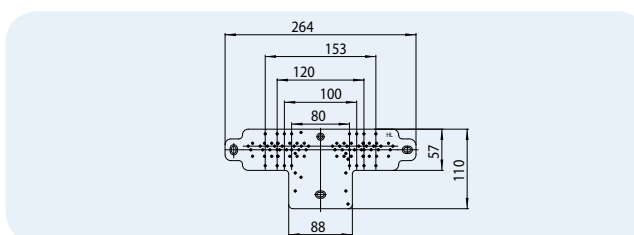
Data	
Material	PE
Connection dimension	DN32/40
Outlet dimension	DN40/50
Standard	EN 274
Recommended for	Kitchen and washbasin rear panel installation
Additional information	Inlet side adjustable in length by cutting, connection between siphon and wall outlet



HL-No.	Dimension	Weight	EAN	Piece/package
34	DN40/50	160 g	+940349	10

HL44 Mounting plate

Data	
Material	PP
Recommended for	Front panel installation
Additional information	Perfboard for installing valve and trap connector



HL-No.	Dimension	Weight	EAN	Piece/package
44		180 g	+900442	1