

SIFONE

HL

ABLÄUFE



6-24

83

54

193



DN50



HL® Siphons

Shower trays



HL® Siphons for shower trays

Basic information about design and installation

Basically HL supplies siphons for all usual shower trays, which are according to the standards. To select the right product, please notice the following criteria:

▲ **Hole diameter of the shower tray**
 The European standard HL 274 differs between shower trays with hole diameters Ø 52 mm or Ø 62 mm and Ø 90 mm. HL-shower tray siphons fit to designs, which are according to the European standard (conus, thickness...). To get the perfect tightness, one should take care to use products of high quality of the shower tray.

▲ **Capacity**
 All mentioned drain capacities of shower trays are values, which are tested under standard parameters. Trays with hole diameter Ø 52 mm and Ø 62 mm are tested with 120mm water height, trays with diameter Ø 90 mm

only with 15mm, as more and more very flat shower trays are used because of the low entry level. Of course the water coming from the shower should not be more than the capacity of the drain. We recommend to calculate with a certain cushion.

▲ **Maintainance and cleaning**
 To avoid the deinstallation of the siphon, every time the outlet is plugged, our traps are designed with eather removable traps or hair catchers. With smaller hole diameters one should still plan an inspection door. At flat shower trays with hole diameter Ø 90 mm one do not need this. Therefore the siphon itself should be provided with an access to the waste pipe, when it is plugged. **ATTENTION:** Avoid cleaning with compressed air, as the connection parts in the siphon or in the drain pipe may be splitted.

▲ **Convenient in installation**
 HL offers it's shower tray siphons with rotatable ball-joints, which allow a very quick and also stressless installation.

Relevant standards/directives

EN 274 Drains and siphons for sanitary equipment

HL® Siphons for shower trays – Products – Overview

Siphons

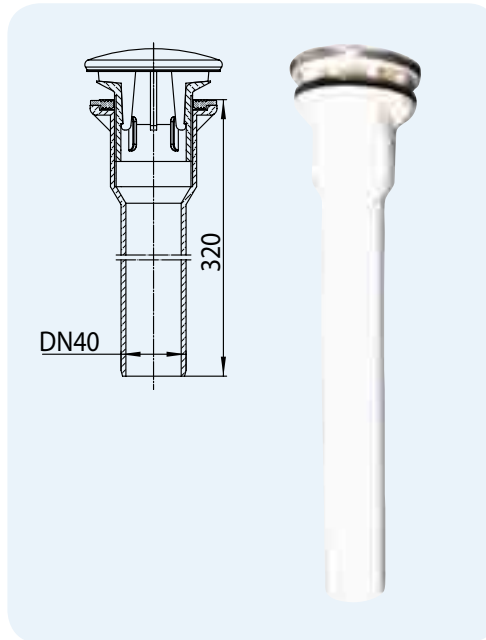


| Product | HL514 | HL514/SN | HL520F | HL511N | HL521 |
|-------------|---|---|---|--|---|
| Description | Shower tray siphon with plug | Shower tray siphon with stainless steel cover | Shower tray siphon with ball joint and stainless steel cover | Shower tray siphon with ball joint and stainless steel cover | Flat shower tray siphon with ball joint and stainless steel cover |
| Function | For siphoning shower trays with tray hole Ø 52 mm | For siphoning shower trays with tray hole Ø 52 mm, flat | For siphoning shower trays with tray hole 90mm, high capacity | For siphoning shower trays with tray hole 90mm | For siphoning shower trays with tray hole 90mm, flat version |

HL® Siphons for shower trays – Products – Data

HL513/S Vertical shower trap connector 6/4"

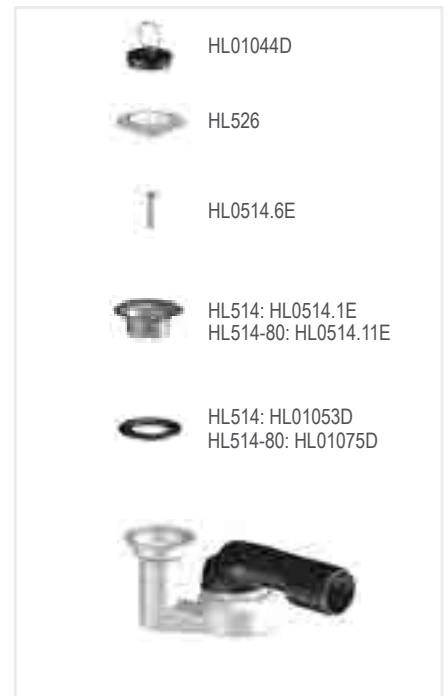
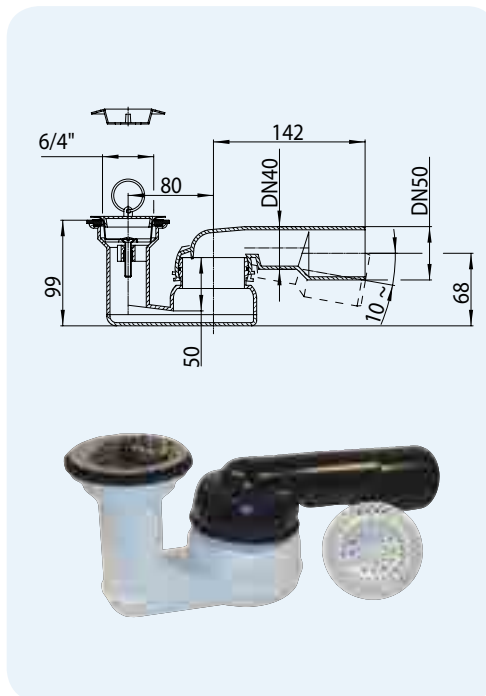
| Data | |
|----------------------|---------------------------|
| Capacity | 0,75 l/s |
| Material | PP |
| Visible parts | Stainless steel 86mm |
| Connection dimension | Outlet 6/4" for hole 52mm |
| Outlet dimension | vertical DN40 |
| Standard | EN274 |
| Additional info | without trap |



| HL-No. | Dimension | Cover | Weight | EAN | Piece/package |
|---------|-----------|-----------------|--------|---------|---------------|
| 513/S | DN40 | Stainless steel | 420 g | +513000 | 1 |
| 513/S.0 | DN40 | - | 325 g | +513017 | 1 |

HL514 Shower tray siphon 6/4" with ball-joint and plug

| Data | |
|----------------------|--|
| Capacity | 0,58 l/s |
| Material | PP, outlet pluggable and weldable |
| Visible parts | Stainless steel |
| Connection dimension | HL514: Valve 6/4" for hole Ø 52 mm, HL514-80: Valve Ø 80 mm for hole Ø 62 mm |
| Outlet dimension | horizontal, ball-joint: 280° rotatable, 10° inclinable HL514, HL514-80: DN 40/50 cuttable in length |
| Hose nozzle | - |
| Standard | EN274 |
| Height of seal water | 50 mm |
| Including | Plug and hair catcher 6/4" |

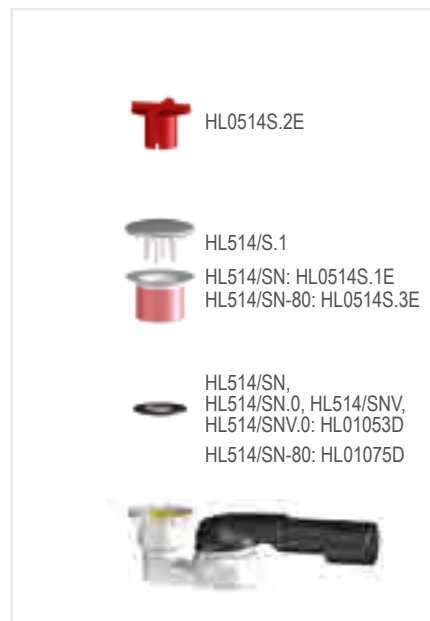
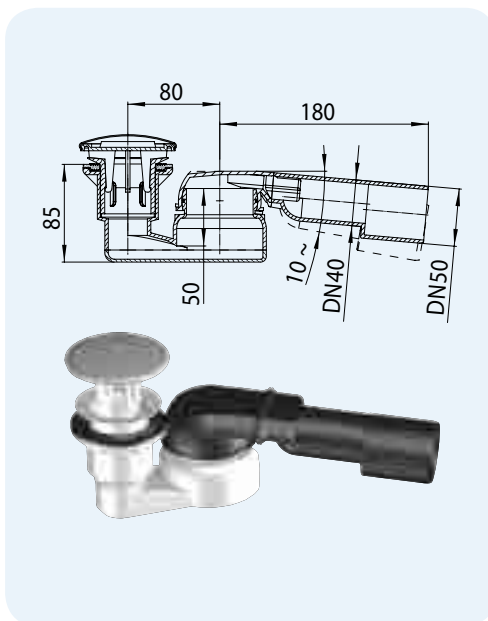


| HL-No. | Dimension | Weight | EAN | Piece/package |
|--------|-----------|--------|---------|---------------|
| 514 | DN40/50 | 275 g | +305148 | 10 |
| 514-80 | DN40/50 | 260 g | +514809 | 1 |

HL514/SN... Shower tray siphon 6/4" with ball-joint, (cover and tube connector)

Data

| | |
|----------------------|--|
| Capacity | HL514/SN, HL514/SN-80, HL514/SNV: 0,48 l/s HL514/SN.0, HL514/SNV.0: 0,48 l/s |
| Material | PP outlet pluggable and weldable |
| Visible parts | HL514/SN: Stainless steel cover Ø 86 mm, HL514/SN.0, HL514/SNV.0: Without cover |
| Connection dimension | HL514/SN, HL514/SNV, HL514/SN.0, HL514/SNV.0: for tray holes Ø 52 mm HL514/SN-80: Valve Ø 80 mm for tray holes Ø 62 mm |
| Outlet dimension | horizontal, ball-joint: 280° rotatable, 10° inclinable DN 40/50 adjustable in length |
| Hose nozzle | HL514/SNV, HL514/SNV.0: Tube connector 8 - 13 mm e.g. for leakage tubes or steam showers. |
| Standard | EN274 |
| Height of seal water | 50 mm |



| HL-No. | Dimension | Cover | Hose nozzle | Weight | EAN | Piece/package |
|-----------|-----------|-----------------|-------------|--------|---------|---------------|
| 514/SN | DN40/50 | Stainless steel | - | 330 g | +004751 | 10 |
| 514/SN-80 | DN40/50 | Stainless steel | - | 335 g | +004775 | 1 |
| 514/SN.0 | DN40/50 | - | - | 235 g | +004799 | 10 |
| 514/SNV | DN40/50 | Stainless steel | 8 - 13 mm | 330 g | +004911 | 10 |
| 514/SNV.0 | DN40/50 | - | 8 - 13 mm | 235 g | +010776 | 10 |

HL514/S... Stainless steel covers in different colours, fitting to HL514/SN and HL514/SNV

Data

| | |
|----------|--|
| Ø | 86 mm |
| Material | HL514/S.1: Stainless steel HL514/S.11: Gold-plated brass HL514/S.2: Solid brass HL514/S.3: Stainless steel, White coloured |

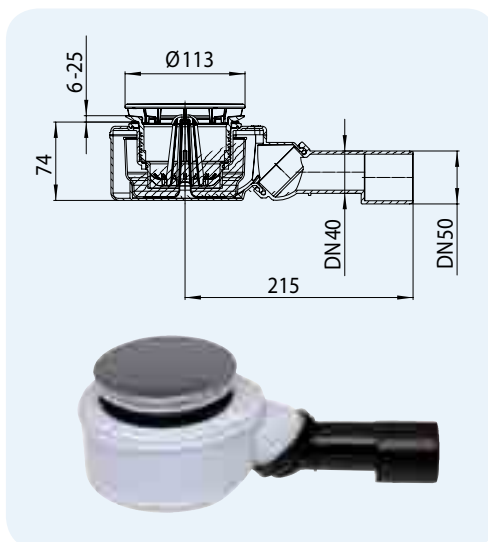


| HL-No. | Colour | Weight | EAN | Piece/package |
|----------|-------------------|--------|----------|---------------|
| 514/S.1 | Stainless steel | 95 g | +405138 | 1 |
| 514/S.11 | Gold-plated brass | 95 g | +425136 | 1 |
| 514/S.2 | Solid brass | 95 g | +425143 | 1 |
| 514/S.3 | White | 95 g | + 525140 | 1 |

HL520F Shower tray siphon DN40/50 for tray hole 90 mm

Data

| | |
|------------------------|--|
| Capacity | 0,60 l/s |
| Material | PP/PE |
| Visible parts | Cover platte Ø 112 mm, polished stainless steel |
| Connection | Tray hole Ø 90 mm |
| Outlet dimension | Convertible from horizontal to vertical, DN40/50, adjustable in length |
| Stench trap | Removable rubber membrane |
| Standard | EN274 |
| Height of seal water | 50 mm |
| Including | Hair catcher, lot cover |
| Additional information | Installation height 74 mm! |



| HL-No. | Dimension | Cover plate | Capacity | Installation height | Weight | EAN | Piece/package |
|--------|-----------|-----------------|----------|---------------------|--------|---------|---------------|
| 520F | DN40/50 | Stainless steel | 0,6 l/s | 74 mm | 530 g | +037452 | 1 |
| 520F.0 | DN40/50 | - | 0,6 l/s | 74 mm | 390 g | +037476 | 1 |
| 520 | DN50 | Stainless steel | 0,9 l/s | 83 mm | 530 g | +031122 | 1 |

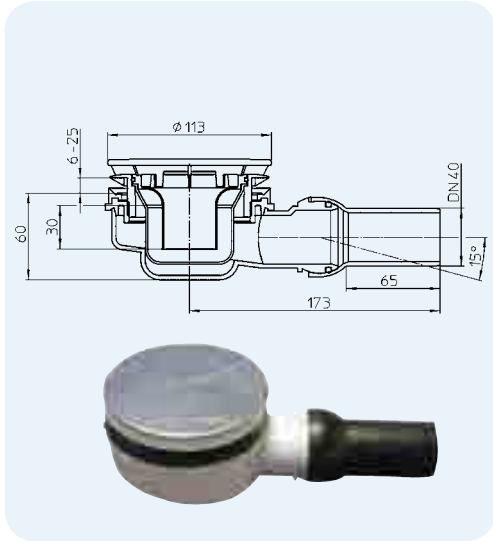
HL522... Coloured stainless steel covers, fitting to HL520- and HL522-series

| Data | |
|----------|--|
| Ø | 112 mm |
| Material | HL522.1: Stainless steel polished HL522.11: Gold-plated brass HL522.2: Solid brass HL522.3: Stainless steel, White coloured |

| HL522.1 | HL522.11 | HL522.2 | HL522.3 | |
|---------|-------------------|---------|----------|---------------|
| | | | | |
| HL-No. | Colour | Weight | EAN | Piece/package |
| 522.1 | Stainless steel | 139 g | +008902 | 1 |
| 522.11 | Gold-plated brass | 139 g | +008926 | 1 |
| 522.2 | Solid brass | 139 g | +008940 | 1 |
| 522.3 | White | 139 g | + 008964 | 1 |

HL521 Flat shower tray siphon DN40 with ball joint for tray hole 90mm

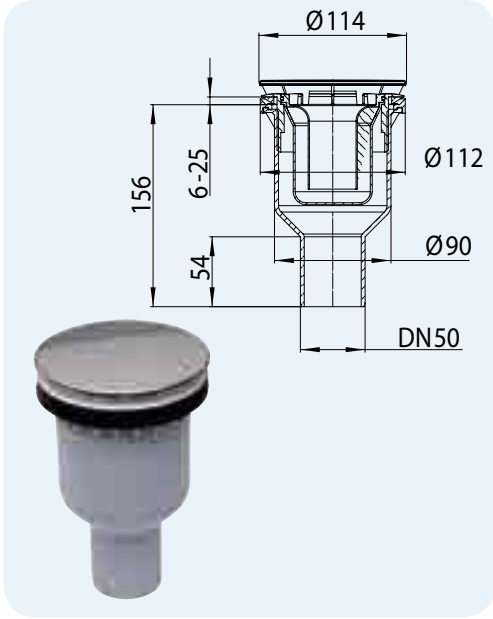
| Data | |
|------------------------|--|
| Capacity | 0,42 l/s |
| Material | PP |
| Visible parts | Stainless steel |
| Connection dimension | For tray hole Ø 90 mm |
| Outlet dimension | with adjustable ball joint 0-15°, DN40 |
| Stench trap | Removable |
| Standard | EN274 |
| Height of seal water | 30 mm |
| Additional information | Height over all 60 mm! |



| HL-No. | Dimension | Weight | EAN |
|--------|-----------|--------|---------|
| HL521 | DN40 | 410 g | +033263 |

HL511N Vertical shower tray siphon DN50 for tray hole Ø 90 mm

| Data | |
|------------------------|--|
| Capacity | 0,53 l/s |
| Material | PP |
| Grate | Cover plate Ø 114 mm, polished stainless steel |
| Connection dimension | For tray hole Ø 90 mm |
| Outlet dimension | Vertical |
| Trap | Removable |
| Standard | EN274 |
| Height of seal water | 50 mm |
| Including | Lot cover |
| Additional information | Vertical shower trap siphon |



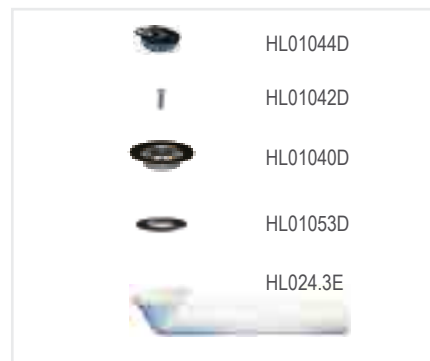
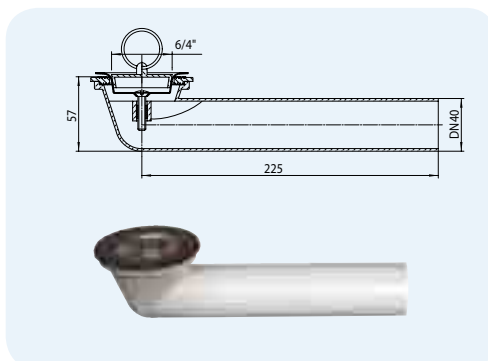
| HL-No. | Dimension | Cover plate | Weight | EAN | Piece/package |
|--------|-----------|-----------------|--------|---------|---------------|
| HL511N | DN50 | Stainless steel | 300 g | +034895 | 1 |

HL® Siphons for shower trays – Products – Accessories

HL16.1 Elbow connector for shower trays

Data

| | |
|----------------------|---|
| Material | PP |
| Connection dimension | Waste outlet 6/4" |
| Outlet | horizontal, DN 40/50 adjustable in length |



| HL-No. | Dimension | Weight | EAN | Piece/package |
|--------|-----------|--------|---------|---------------|
| 16.1 | DN40 | 150 g | +301614 | 1 |

HL515, HL515/S, HL517 Acrylic glass immersion tube

Data

| | |
|------------------------|---|
| Material | Polycarbonate |
| Dimension | HL515, HL515/S: h = 100 mm HL517: h = 105 mm |
| Additional information | HL515: Fits to HL514 and HL80.2(H) HL515/S: fits to HL514/SN(V) and HL513/S HL517: fits to HL520- and HL522-series All immersion tubes are available in different length on request |

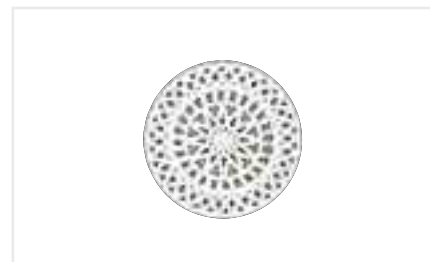
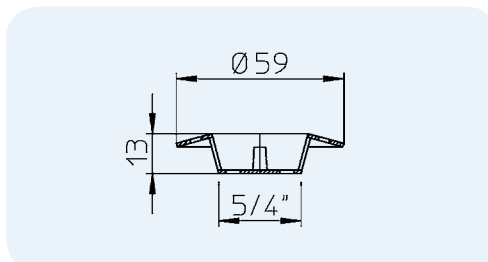


| HL-No. | Dimension | Weight | EAN | Piece/package |
|--------|------------|--------|---------|---------------|
| 515 | h = 100 mm | 42 g | +305155 | 1 |
| 515/S | h = 100 mm | 42 g | +315154 | 1 |
| 517 | h = 105 mm | 87 g | +008810 | 1 |

HL525, HL526 Hair catcher

Data

| | |
|-----------|----------------------------|
| Material | PE |
| Dimension | HL525: 5/4" HL526: 6/4" |



| HL-No. | Dimension | Weight | EAN | Piece/package |
|--------|-----------|--------|---------|---------------|
| 525 | 5/4" | 12 g | +305254 | 1 |
| 526 | 6/4" | 12 g | +305261 | 1 |