

## HL® Series – „Terra“

Balkony and terrace drains HL3100T(H) – HL5100T(H)



## Product description

The new generation of balcony and terrace drains of our series „Terra“ enables you to drain surfaces of up to 83m<sup>2</sup>, considering a rainfall quantity of 300l/(s x ha). With this, HL offers you the possibility to realize terraces with only one low point and, at the same time with low design height. As standard these drains are equipped with a mechanic, frost-proof stench flap, which enables to lead the drain water into mixed sewer.

With all accessory parts like drainage ring, elongation elements with or without flange, heating, thermo-insulation and water-proofing kits all kinds of roof and terrace constructions may be drained professional and save.

Available as from June 2012

## Advantages:

- High flow rate:
  - Vertical HL3100T with flap, DN110: 2 l/s  $\triangleq$  67m<sup>2</sup>
  - Vertical HL3100T with flap, DN75: 2,25 l/s  $\triangleq$  75m<sup>2</sup>
  - Vertical HL3100T without flap, DN110: 2,5 l/s  $\triangleq$  83m<sup>2</sup>
  - Vertical HL3100T without flap, DN75: 4,3 l/s  $\triangleq$  143m<sup>2</sup>
  - Horizontal HL5100T with flap: 2,5 l/s  $\triangleq$  83m<sup>2</sup>
  - Horizontal HL5100T without flap: 2,9 l/s  $\triangleq$  96m<sup>2</sup>
- Less tap holes because of less drains.
- Less stock due to the possibility of combining with thermo-insulation and/or heating.
- Standard equipment with mechanic, frost-proof stench flap, which is situated in the drain body. Therefore also stench-proof at inverted constructions.
- Including clips, which care for a tight connection between drain body and extension.
- Longer version of the standard elongation element HL3400 + HL8500(H). With this thermo-insulations of up to 20cm may be bridged.
- Standard equipped with stainless steel frame.

**Connection to all kinds of water-proofing by using various sealing kits.**

# HL<sup>®</sup> Balcony- and terrace drains – products – overview

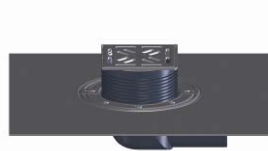
## Drains



### HL5100T

Horizontal drain with high capacity

For surfaces up to appr. 83 m<sup>2</sup>



### HL5100TH

Horizontal drain with high capacity and bitumen flange.

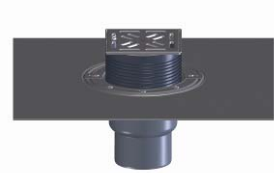
For surfaces up to appr. 83 m<sup>2</sup>, especially for bitumen water proofing.



### HL3100T

Vertical drain with high capacity

For surfaces up to appr. 67 m<sup>2</sup>



### HL3100TH

Vertical drain with high capacity and bitumen flange.

For surfaces up to appr. 67 m<sup>2</sup>, especially for bitumen water proofing.

## Extension elements



### HL3400

Extension element

For elongation of the extension



### HL8500

Extension element with flange.

For adjustment of the height of the water proofing level.



### HL8500H

Extension element with bitumen flange.

For adjustment of the height of the bitumen water proofing level.



### HL3911

Extension element with screwable grate.

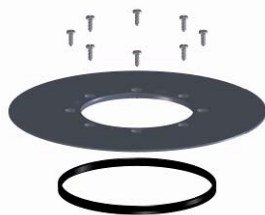
## Water proofing kits



### HL8300.P

Sealing kit with hard PVC flange.

For PVC sealing sheets



### HL8300.PP

Sealing kit with hard PP flange.

For FPO sealing sheets, based on PP



### HL8300.0

Sealing kit without membrane.

For clamping of on site water proofing, like e.g. vapour barriers



### HL8300.H

Sealing kit with pre-fixes bitumen membrane.

For bitumen water proofing or liquid bitumen

# HL® Balcony- and terrace drains – products – overview

## Accessories



**HL150**  
Drainage ring

For drainage of rainwater at the water proofing, e.g. inverted constructions.



**HL154**  
Heating

To be inserted into the thermo insulation HL152 and HL153



**HL151**  
Gravel guard

Leaf catcher, used underneath pavings or boardwalks



**HL152**  
Thermo insulation horizontal

Thermo insulation for HL5100T



**HL153**  
Thermo insulation vertical

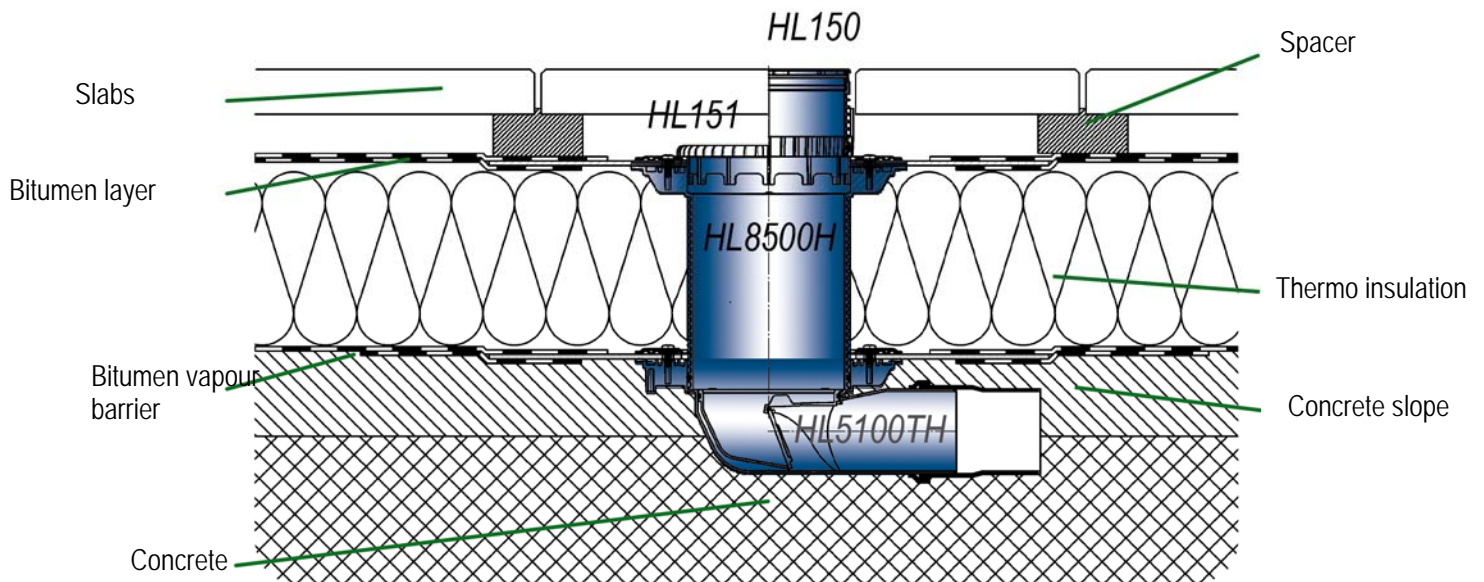
Thermo insulation for HL3100T



**HL619**  
Fixing loops

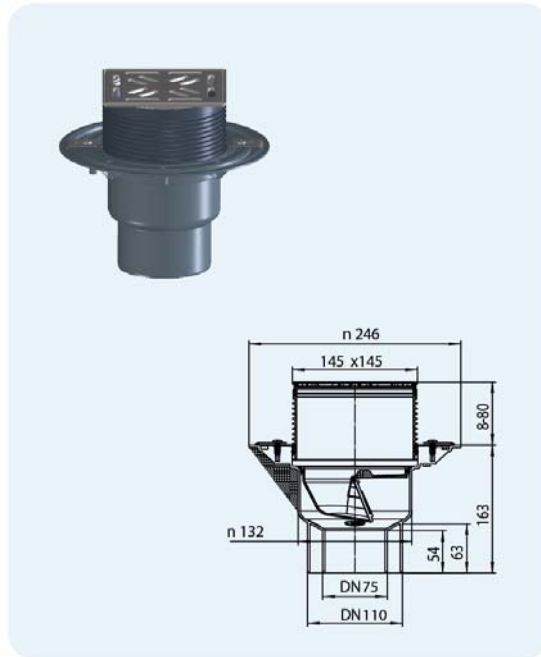
Tight connection between drain body and extension

## Sectional drawing: Terrace, slabs on spacers laid on vapour barrier and thermo insulation



## HL3100T Balcony- and terrace drain, vertical with frost proof stench flap.

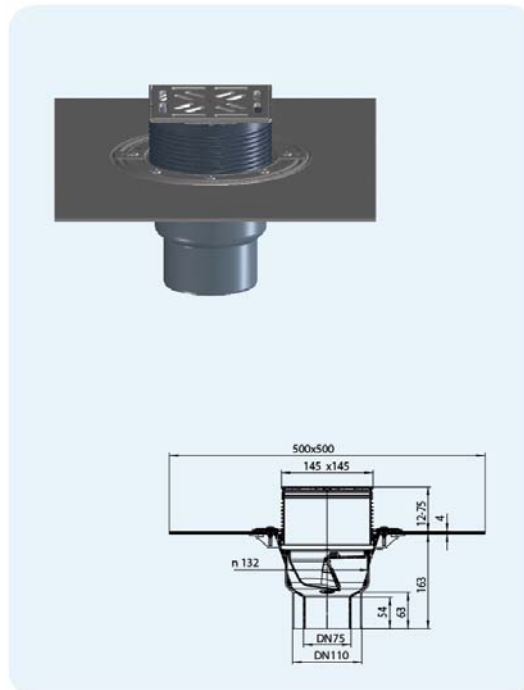
Flow rate	DN75 = 2,25 l/s, without flap 4,3 l/s DN110 = 2,00 l/s, with flap 4,5 l/s
Material	PP
Outlet	DN75/110 vertical
Frame	145 x 145 mm stainless steel, cuttable in height
Grate	Stainless steel 138 x 138 mm
Trap	Frost proof flap
Standards	EN1253, DIN 19535, 19560
Load classification	K 3 - max. 300 kg
Additional info	For surfaces up to 67m <sup>2</sup> at a rainfall quantity of 300l/(s x ha). Recess size: min. 220 x 220 mm. Tap hole size: Ø 220 mm
Including also	Supporting frame, lot cover



HL-No.	Dimension	EAN	Piece/pack.
3100T	DN75/110	+034659	1

## HL3100TH Balcony- and terrace drain like HL3100T, with bitumene flange

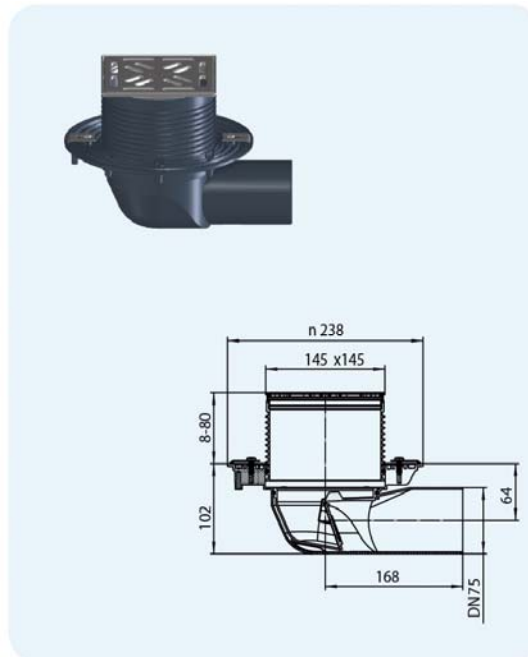
Flow rate	DN75 = 2,25 l/s, without flap 4,3 l/s DN110 = 2,00 l/s, with flap 4,5 l/s
Material	PP, bitumene
Outlet	DN75/110 vertical
Frame	145 x 145 mm stainless steel, cuttable in height
Grate	Stainless steel 138 x 138 mm
Trap	Frost proof flap
Standards	EN1253, DIN 19535, 19560
Load classification	K 3 - max. 300 kg
Additional info	For surfaces up to 67m <sup>2</sup> at a rainfall quantity of 300l/(s x ha). For bitumen water proofings Recess size: min. 220 x 220 mm. Tap hole size: Ø 220 mm
Including also	Supporting frame, gravel guard



HL-No.	Dimension	EAN	Piece/pack.
3100TH	DN75/110	+034666	1

## HL5100T Balcony- and terrace drain, horizontal with frost proof stench flap.

Flow rate	2,5 l/s, without flap 2,9 l/s
Material	PP
Outlet dim.	DN75
Outlet	horizontal
Frame	145 x 145 mm stainless steel, cuttable in height
Grate	Frost proof flap
Trap	Frost proof flap
Standard	EN1253, DIN 19535, 19560
Load classification	K 3 - max. 300 kg
Additional info	For surfaces up to 83m <sup>2</sup> at a rainfall quantity of 300 l/ (s x ha), Recess size: min. 220 x 340 mm
Including also	Supporting frame, lot cover



HL-No.  
5100T

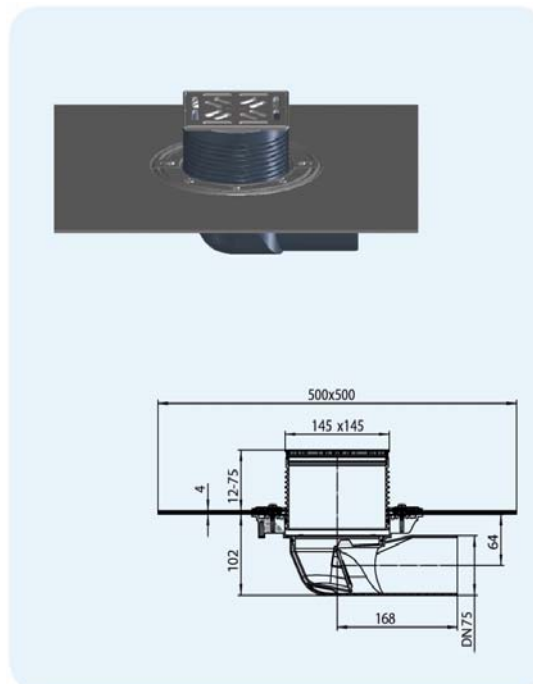
Dimension  
DN75

EAN  
+034703

Piece/pack.  
1

## HL5100TH Balcony- and terrace drain like HL5100T, but with bitumene flange

Flow rate	2,5 l/s, without flap 2,9 l/s
Material	PP, bitumene
Outlet dim.	DN75
Outlet	horizontal
Frame	145 x 145 mm stainless steel, cuttable in height
Grate	Frost proof flap
Trap	Frost proof flap
Standard	EN1253, DIN 19535, 19560
Load classification	K 3 - max. 300 kg
Additional info	For surfaces up to 83m <sup>2</sup> at a rainfall quantity of 300 l/ (s x ha), Recess size: min. 220 x 340 mm
Including also	Supporting frame, gravel guard



HL-No.  
5100TH

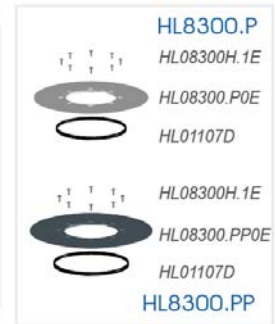
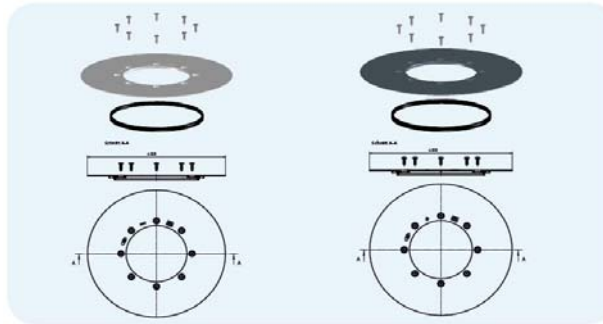
Dimension  
DN75

EAN  
+034710

Piece/pack.  
1

## HL8300.P, HL8300.PP Sealing kit with PVC / PP collar

Material	HL8300.P: PVC HL8300.PP: PP
Dimension	HL8300.P: Flange Ø 350 mm HL8300.PP: Flange Ø 350 mm
Recomm. for	HL8300.P: PVC- water proofing HL8300.PP: FPO- water proofing based on PP
Fits to	Series „Terra“, HL3100(Pr), HL5100(Pr) and HL8500



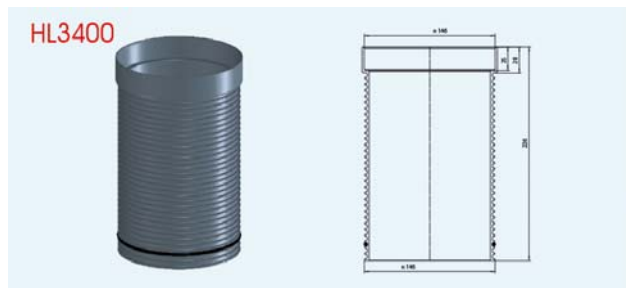
HL-No.  
8300.P  
8300.PP

EAN  
+034741  
+034758

Piece/pack.  
1  
1

## HL3400 Elongation element

Material	PP
Dimension	Ø 146 mm, h: 200 mm
Fits to	Series „Terra“, HL3100(Pr), HL5100(Pr)



HL-No.  
3400

Weight  
117 g

EAN  
+025565

Piece/pack.  
1

## HL8500 Elongation element with flange

Material	PP
Dimension	Ø 146 mm, h: 200 mm
Fits to	Series „Terra“, HL3100(Pr), HL5100(Pr)



HL-No.  
8500

Weight  
400 g

EAN  
+025572

Piece/pack.  
1

## HL8500H Elongation element with bitumene flange

Material	PP
Dimension	Ø 146 mm, h: 200 mm
Fits to	Series „Terra“, HL3100(Pr), HL5100(Pr)



HL-No.  
8500H

Weight  
1840 g

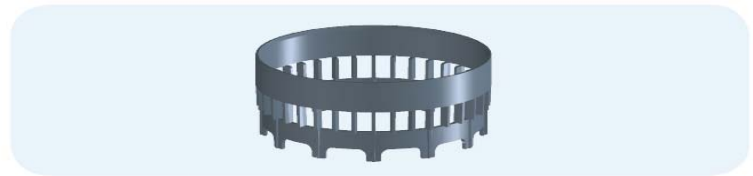
EAN  
+034765

Piece/pack.  
1

## HL150 Gravel guard

Material PP

Additional info For installation between flange and elongation, to have drainage on the water proofing level, e.g. inverted constructions

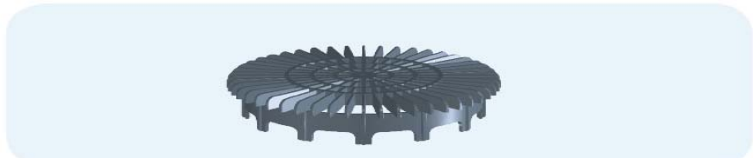


HL-No.	Dimension	Weight	EAN	Piece/pack.
150	Ø 146 mm		+034550	1

## HL151 Leaf catcher

Material PP

Additional info Flat gravel guard below pavings or board walks



HL-No.	Dimension	Weight	EAN	Piece/pack.
151	Ø 146 mm		+034567	1

## HL152 Thermo insulation for HL5100T

Material EPS

Additional info The thermo insulation is mounted on the drain body HL5100T by screwing



HL-No.	Dimension	Weight	EAN	Piece/pack.
152	Ø 146 mm		+034574	1

## HL153 Thermo insulation for HL3100T

Material EPS

Additional info The thermo insulation is mounted on the drain body HL3100T by screwing



HL-No.	Dimension	Weight	EAN	Piece/pack.
153			+034581	1

## HL154 Heating for HL152 and HL153

Additional info To be inserted into the thermo insulation HL152 and HL153, self-regulating heating tape 18W/230V; overheating is impossible due to the character of the heating

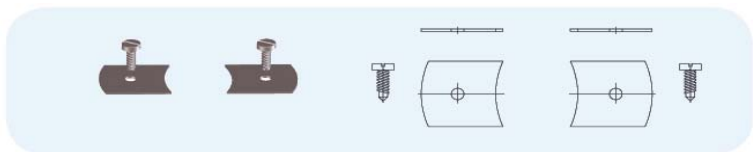


HL-No.	Weight	Gewicht	EAN	Piece/pack.
154			+034598	1

## HL619 Fixing loops

Material Stainless steel

Additional info For a save and tight connection between drain body and extension / elongation element



HL-No.	Weight	Gewicht	EAN	Piece/pack.
619		54 g	+013197	1