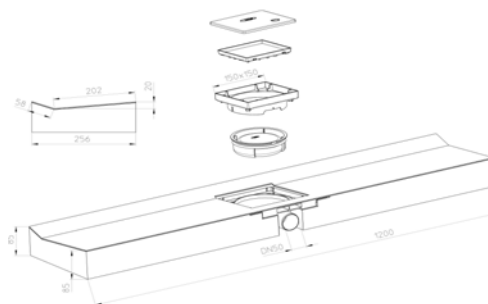
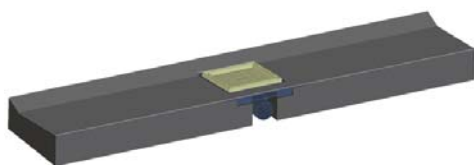


PRODUCT - INFORMATION # 4 / 2012

New at HL



HL530F(.0) Flat shower block



Additional to the existing shower block HL530 HL offers now from May 2012 a flat version of this article, especially for renovation. Difference to the existing HL530: Height 85mm, water trap height 30mm (with dry Primus-trap), outlet DN50, rigid, direction roomside.

Product description:

Waterproof coated shower block made of EPS40, length 120cm, with integrated drain body made of ABS, outlet DN50, including tiling frame 150mm x 150mm, suitable for tiles from 7mm to 17mm and cover for inserting the tile. Lot cover and removable „Primus“-trap included.

Usage:

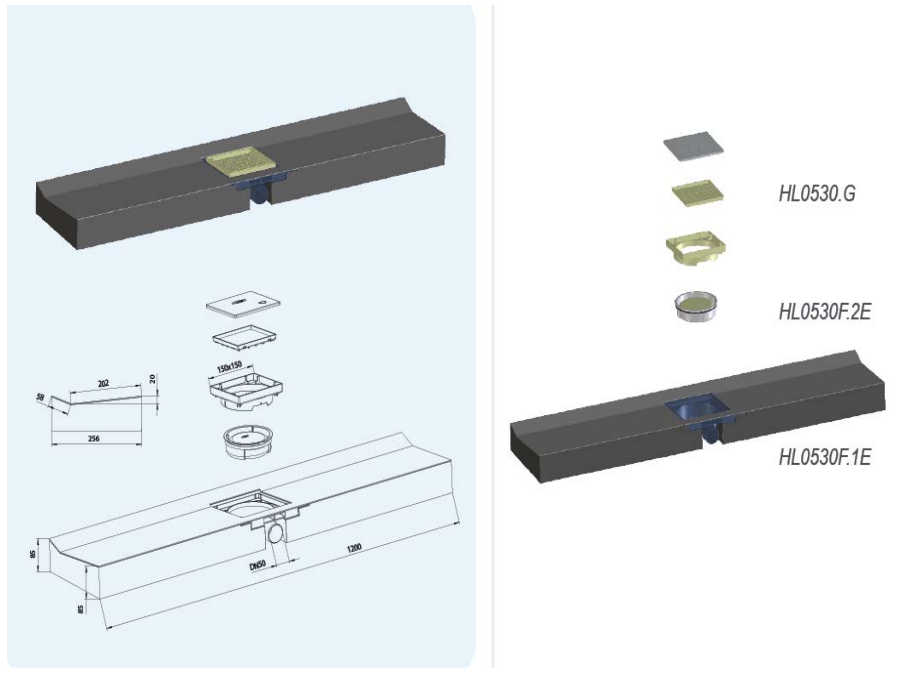
As linear drainage system for barrier-free, tiled showers. By using the elongation element perfect for multiple shower facilities.

Advantages:

- Height only 85mm
- Adjusting of the length directly at the construction site by simply cutting or elongating with elongation elements.
- Waterproof surface.
- „Primus“-trap – avoids bad odour rising from the sewer, also when the water inside the trap has evaporated (floor heating!).
- Different design options by using different coloured visible parts.

HL530F (.0) Shower block for installation close to the wall. Height: 85mm!

Flow rate	0,6 l/s
Material	PP/ABS/EPS-40
Frame	150 x 150 mm convertable from 7 - 17mm, cover for tiles.
Outlet pipe	DN50
Standard	EN 1253
Trap	30 mm with „Primus“-trap, odourless also without water!
Additional information	Adjustment of the length directly at the construction site by cutting with a saw.
Enclosed	Lot cover



HL-No.	Material	Dimension	Frame	EAN	Piece/pack.
530F	PP/ABS/EPS-40	DN50/1200 mm	grey	+033652	1
530F.0	PP/EPS-40	DN50/1200 mm		+033676	1

HL0530.G, (.B), (.C), (.S), (.W) Frames for HL530.0 und HL530F.0

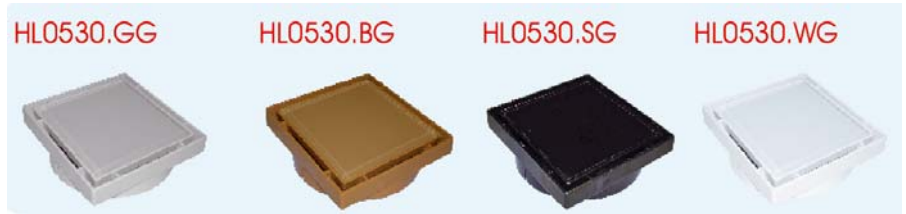
Material	ABS
Frame	150 x 150 mm, size of tile: 124mm x 124mm



HL-No.	Material	Frame	Weight	EAN	Piece/pack.
0530.G	ABS	grey	200 g	+029198	1
0530.B	ABS	brown	200 g	+029211	1
0530.C	ABS verchromt	chrome	200 g	+029235	1
0530.S	ABS	black	200 g	+029259	1
0530.W	ABS	white	200 g	+029273	1

HL0530.GG, (.BG), (.SG), (.WG) Frames with glass insert HL530.0 u. HL530F.0

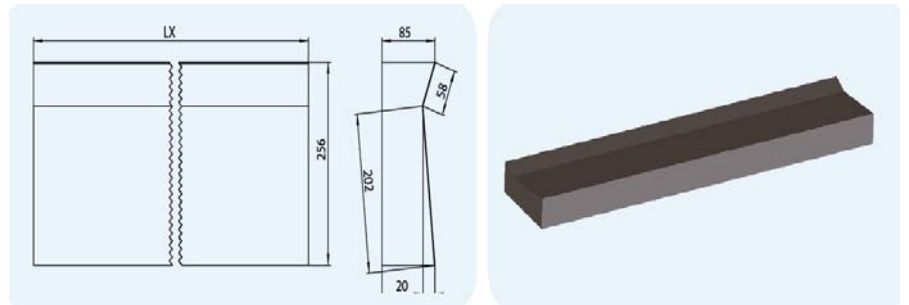
Material	ABS/glass
Frame	150 x 150 mm, with inserted glass tile: 124mm x 124mm



HL-No.	Material	Frame	Weight	EAN	Piece/pack.
0530.GG	ABS/glass	grey	449 g	+029648	1
0530.BG	ABS/glass	brown	449 g	+029624	1
0530.SG	ABS/glass	black	449 g	+029662	1
0530.WG	ABS/glass	white	449 g	+029686	1

HL530VF Elongation element for HL530F

Material	EPS-40
Additional Information:	For elongation of the shower block HL530F, e.g. for multiple shower facilities, cuttable with a saw, with waterproof coating.



HL-Nr.	Material	Dimension	EAN	Piece/pack.
530VF-30	EPS-40	300 x 256 x 85 mm	+033690	1
530VF-60	EPS-40	600 x 256 x 85 mm	+033713	1
530VF-120	EPS-40	1200 x 256 x 85 mm	+033737	1