

PRODUCT - INFORMATION # 5 / 2013

New at HL



Balcony and terrace drain bodies with bitumen flange HL90KH, HL310NKH und HL510NKH



Product description

From now on the drain bodies HL90K, HL310NK and HL510NK are available with pre-welded bitumen flange („H“-version).

Features:

- Material PE/factory welded bitumen flange/stainless steel V2A

Advantage:

- Due to the factory welded bitumen flange mistakes at the installation of the waterproofing may be avoid. Beside of that it safes time during installation.

Spareparts:

HL181 Flat leaf catcher (as lot cover).

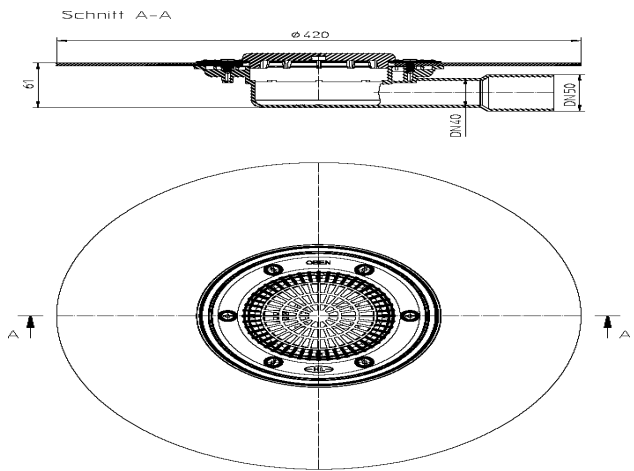
HL90KH

Package: 1 piece/carton box

Weight: 1,32 kg

EAN-Code: 9003076036998

Price: see price list



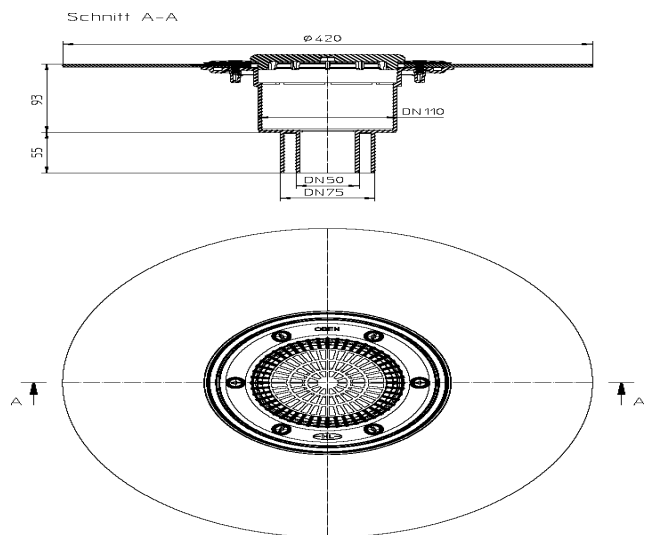
HL310NKH

Package: 1 piece/carton box

Weight: 1,34 kg

EAN-Code: 9003076037018

Price: see price list



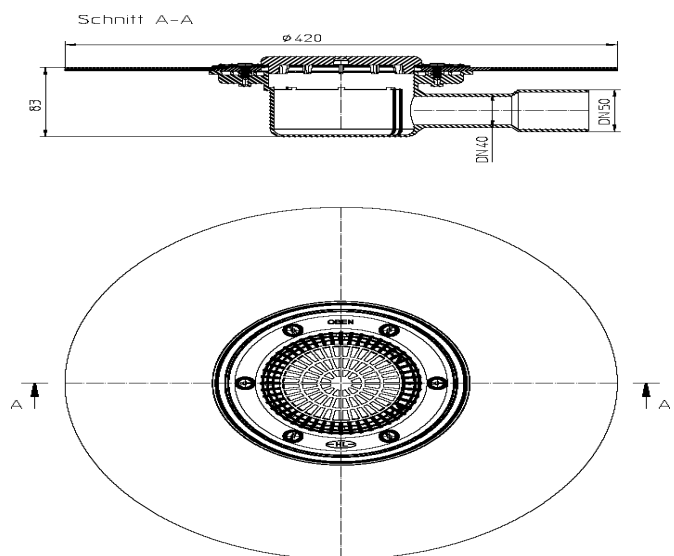
HL510NKH

Package: 1 piece/carton box

Weight: 1,33 kg

EAN-Code: 9003076037001

Price: see price list



Accessories/Combinations:

**All extensions with d110mm,
e.g. HL37N, HL3000, HL3020...**



HL180 Gravel guard

HL080.8E Leaf catcher

HL090.4E(KK) Flap



**Extensions
HL85N, HL85NH, HL85NC...**

