

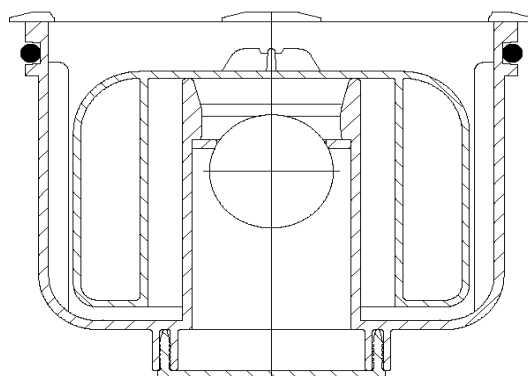
**PRODUCT - INFORMATION # 8 / 2013**

**New at HL**



**HL2000RS PRIMUS trap with backwater protector**

**HL2000RS**



Too little incline of the sewer pipe or connection of other sanitary items (like pumps...) may effect, that water is coming out of the lowest drainage spot, which very often is the floor drain.

To solve this problem, the existing siphon can be exchanged to a backwater protected one, HL2000RS. In case of backwater the ball inside the trap swims on the backwater and is pressed against a gasket. This function prevents from water coming up the floor drain.

**Fitting drains:**

HL2000RS fits to all floor drains of series HL310N(Pr) and HL510N(Pr). By using the gasket HL01086D it also fits to series with stainless steel frame HL310N(Pr)-3000 and HL510N(Pr).

**Attention:**

- According to EN 13564-1 standard HL2000RS **is not** an anti-flooding valve, backwater protection may only be granted to a backwater height 30cm (0,03bar).
- Due to the reduced diameter of the pipe inside the siphon the flow capacity is only **0,27l/s!**

**Technical data:**

Flow capacity: 0,27 l/s  
Backwater proof up to: 0,03 bar (30cm water column)  
Material: ABS/ PP/ rubber  
Trap water height: 50 mm  
Weight: 0,125 kg/ Stk.  
Package: PE-bag

**EAN - Code:**

900 30 760 37 537

**Price:**

See price list