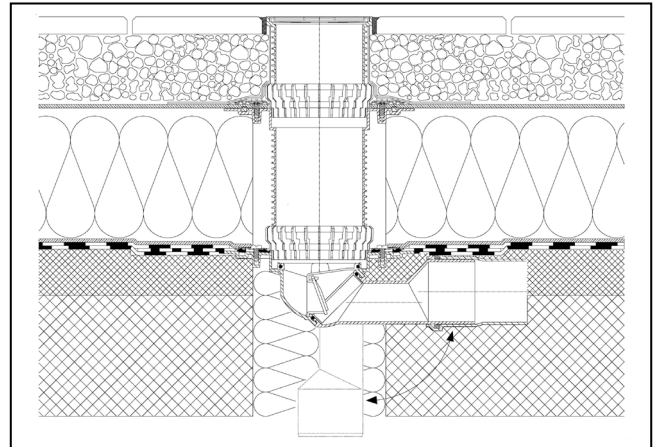


New at HL



HL85N and HL85NH Existing extension elements with new height



HL85N(H) – For this existing extension elements with flange HL85N and HL85NH the height has been changed from 103mm to 227mm.

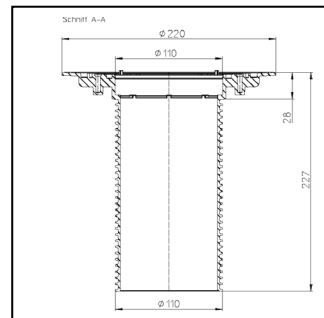
With this step it will be possible in the future, to bypass thermo-insulations with heights up to 200mm in **one** piece. This relieves the work of the installer and eliminates possible leakage. And that to the same price!

Advantages:

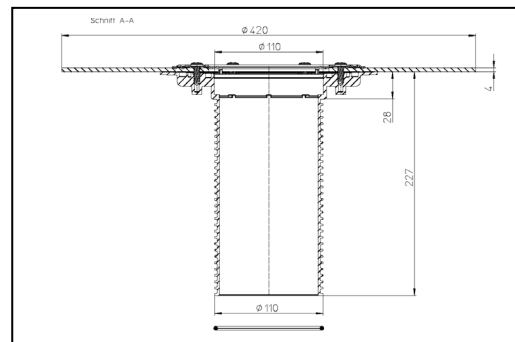
- Safe and quick installation.
- Lower costs at thermo-insulations higher than 10mm (one piece HL85N instead of HL85N + HL340N).
- Connection to all sealing kits of series HL83... possible **as now**.
- Connection to all drain body series HL310N, HL510N, HL80, HL90, HL300, HL304 and HL70 possible **as now**.
- HL85NH: Pre-fabricated bitumen flange for safe and quick work at the construction site.
- **Same price** as now.

- **Spare parts**

HL85N Extension-element (drain body)
Material: PP
HL01067D O-Ring



HL85NH Extension-element with bitumen flange (drain body)
Material: PP, bitumen
HL01067D O-Ring



- **Package:** Plastic bag
- **Weight:** HL85N: 0,3kg /piece
HL85NH: 1,1kg /piece
- **EAN-Code:** HL85N: 9003076006120
HL85NH: 9003076009015
- **Price:** unchanged
- **Delivery date:** From week 34/14 continually change (appr. 2 month transition period)

HL HUTTERER & LECHNER GmbH.
Brauhausgasse 3 -5 , 2325 HIMBERG,
Tel.: +43/(0)2235/86291-0; FaxDW 31 od. 52;
<http://www.hutterer-lechner.com>;
e-mail: office@hutterer-lechner.com