

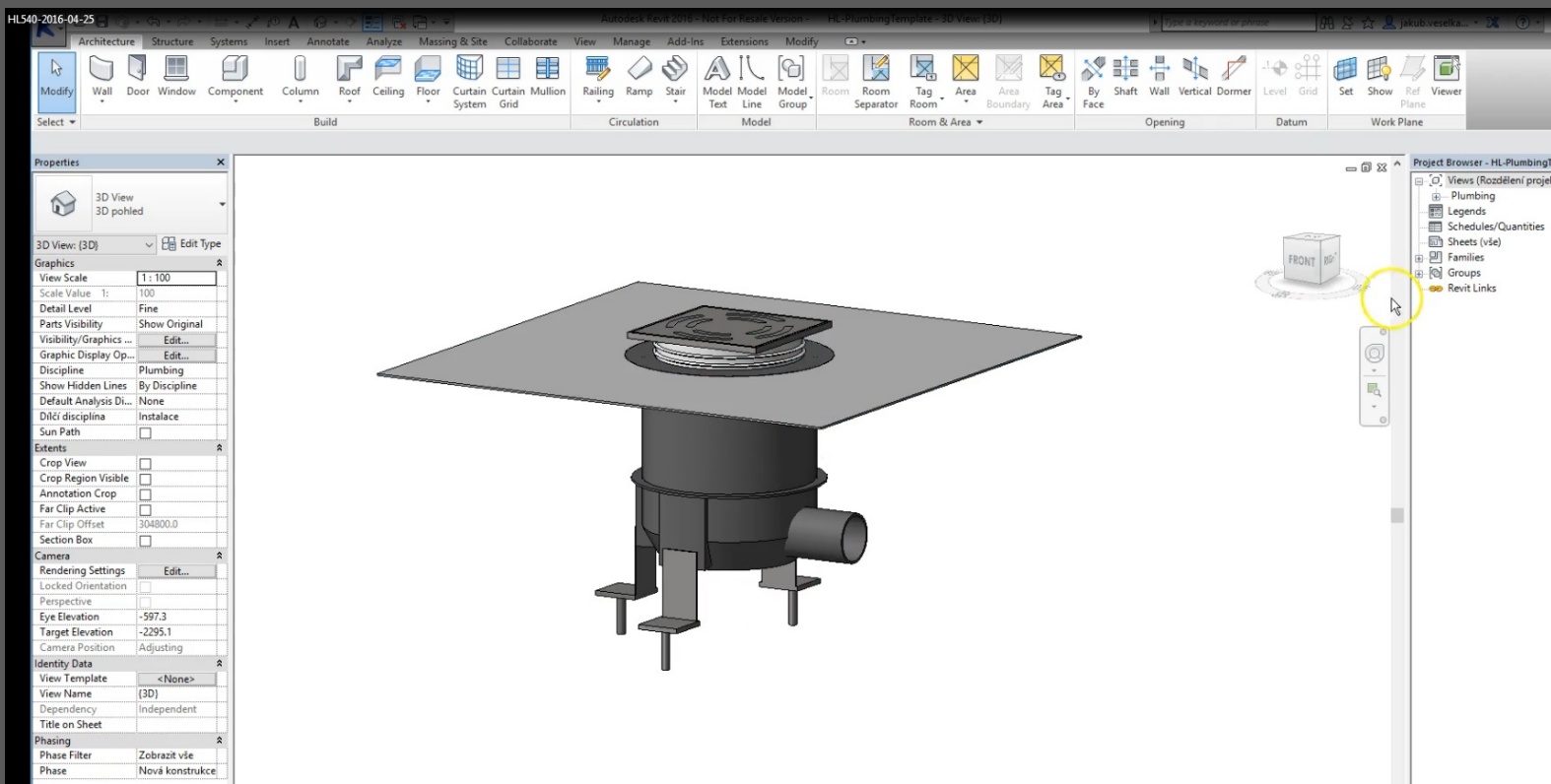
SIFONE

HL[®]

ABLÄUFE

INFO
01/2016

BIM Revit 2016
New on our homepage!



Newest data for BIM/Revit 2016



HL HUTTERER & LECHNER GmbH
Brauhausgasse 3 -5, 2325 HIMBERG

Tel.: +43/(0)2235/86291-0
Fax DW 31 od. 52

E-Mail: office@hutterer-lechner.com
<http://www.hutterer-lechner.com>

Description

From now on BIM/Revit data form planers and designers are available under www.hutterer-lechner.com

- What does BIM mean?

The term „**Building Information Modeling**“ (short: **BIM**) describes a method of optimizing design, realization and management of buildings by using special computer software. With this all relevant building data are digitally gathered, combined and connected. The building is visualized geometrically as a virtual model (3D). BIM can be used for designing, constructing and managing a facility.

The idea behind it: Not only drawings of the building should be available, but also all relevant data about the installed products (like size, material, flow rate....). the final result is a digital model of the construction itself.

- Which data are available?

Revit-data of Autodesk version 2016 are available from now on for the category „Floor drains“ and the product series HL540 and HL531. Further categories will follow.

- Which languages?

German, English, Russian and Czech

- How do I receive the data?

On our homepage www.hutterer-lechner.com under Info & Downloads / BIM.

It is very easy: After having specified your e-mail address you can easily download data.

Should there be any updates or news you will be automatically informed via e-mail.

Also available on the website: Application examples as video to be downloaded.

For further questions please contact Mr. Andreas Tolloschek or Mr. Markus Riedl.

PREISE

Kostenlos (nur Registrierung notwendig)

LIEFERBAR AB:

Sofort

