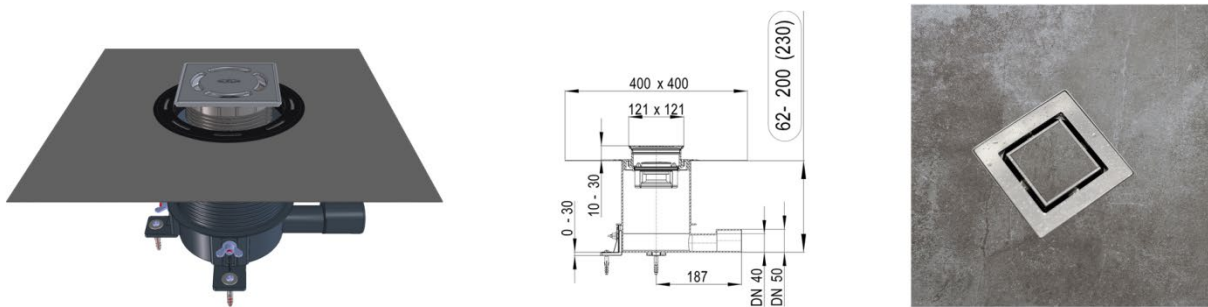


HL541 Primus **blue** shower drain

The little brother of our well-known shower drain HL540 „Primus drain“ convinces of all of its advantages, but with an essentially lower installation height (**62mm!**):



Features

- Installation height from 62mm to 230mm: Perfect fit for either renovation or new buildings.
- Mounting of the drain body on the concrete ceiling by 3 fixing angles + screws: an attached template helps to find the right position.
- The drain body is cut **after** the screed is laid; changes in the layers or height of the floor may easily be compensated.
- Included in the delivery is a pre-fabricated 3-component sealing kit, which cares for a tool-free installation as well as for a save connection to the liquid waterproofing.
- Equipped with stainless steel frame „Klick-Klack“ as standard.
- Hybrid-trap “Primus blue”: Hydraulic **and** mechanic odour trap.
- Reflow-save: our new trap-system “Primus blue” avoids from back-flowing sewage up to 50cm
- Removable trap: A convenient access to the downpipe with e.g. a spiral spring gives safety to the installer to guarantee a long life function of the drain.
- Perfect hygienic: The trap (incl. hair catcher) is removable and may be cleaned easily under running water.
- Design: For higher demands HL offers 2 different design versions: HL541-Individual (with tileable grate) and HL541-Quadra; both may be a nice but also affordable alternative for e.g. shower channels.

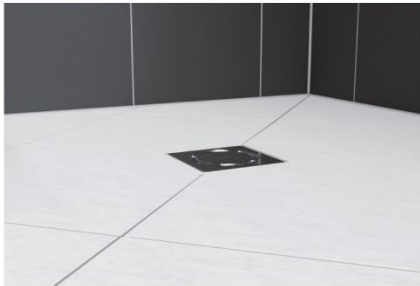
Technical data

- Flow rate

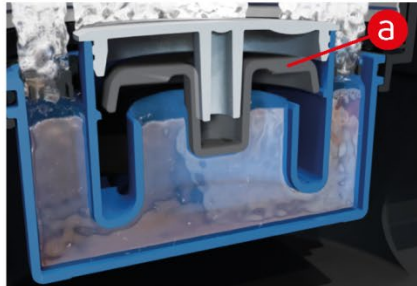
Article	Flow rate 10mm	Flow rate 20mm
HL541	0,43l/s	0,47l/s
HL541i	0,4l/s	0,44l/s
HL541Q	0,4l/s	0,44l/s

- Connection: DN40/DN50
- Material: PP, stainless steel V2A
- Load classification K3 - max. 300kg
- Water trap height: 25mm
- Odour-proof with vacuum: up to 400 Pascal; with overpressure: up to 800 Pascal
- Reflow save up to 0,05 bar (50cm)
- Package: 1 piece/carton box - 295mm x 195mm x 225mm
128 pieces/pallet - 1200mm x 800mm x 1800mm
- Weight: Carton box 1,07kg brutto
Pallet: 167kg brutto
- EAN-Code: +047642
- Price: see attachment
- Delivery from: 16th of April 2019

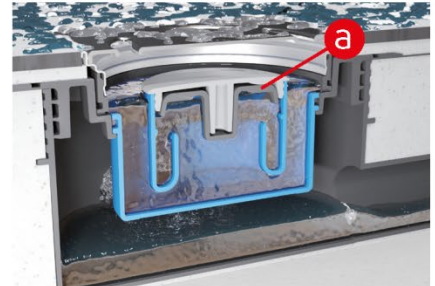
Primus **blue** trap - function



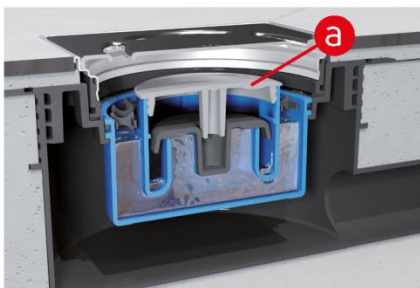
„Primus **blue**“ - the new HL hybrid trap for shower and floor drains - works mechanic and hydraulic. It protects from smell, no matter if there is under pressure, over pressure or if the water inside is evaporated.



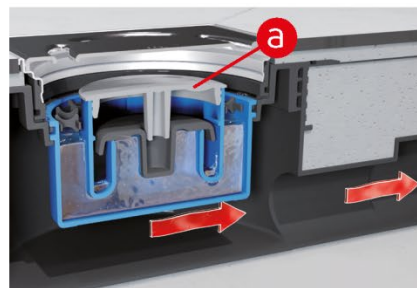
When the water from the shower runs through the trap, the valve disc opens.



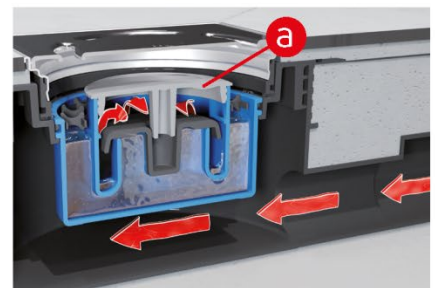
When the valve disc is opened, the water may pass the trap as usual.



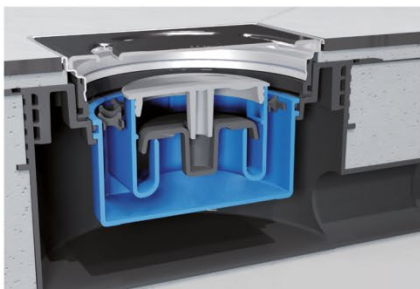
if the water inflow is stopped, the valve disc closes, the water stays inside the trap.



Underpressure from the sewer: The weight of the valve disc together with the water inside the trap protects from getting sucked out.



Overpressure in the sewer: The valve disc is pressed against the valve seat, so no smell may get out. A further advantage: the trap is save against back flow.



Should the water inside the trap be evaporated, e.g. caused by a floor heating, the mechanic trap protects from bad smell

Primus blue

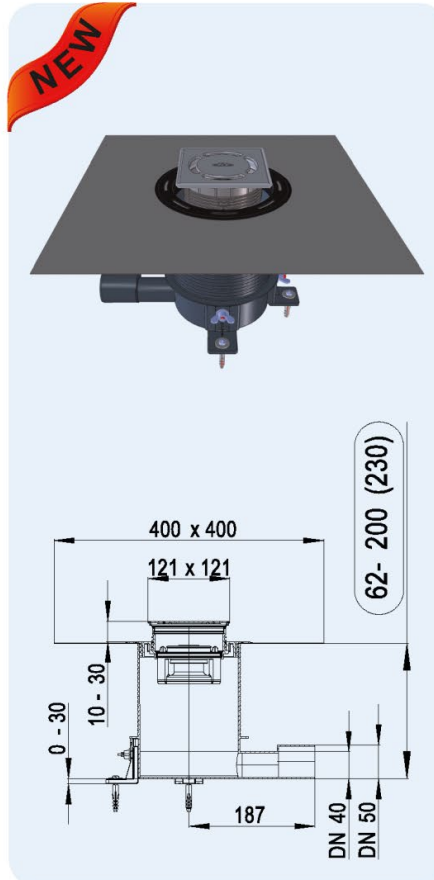


HL541 Primus blue Flat shower drain, MIN. HEIGHT 62MM!

HL541I Primus blue Flat shower drain with individual tile hollow, MIN. HEIGHT 62MM!

Data

Drain capacity	0,5 l/s
Material	PP/Stainless steel
Outlet	DN40/DN50 horizontal
Height	from 62 - 200 (230) mm
Standard	EN 1253
Load classification	K3 - max. 300 kg
Stench trap	„Primus blue“ trap, no stench without seal water
Additional information	Incl. removable trap inlet, sealing kit with textile coated membrane, adjustable fixing angles, lot cover and protection cover
Installation	The drain body might be fixed on the floor with 3 metal angles and can be adjusted in height afterwards. Advantage: maximum speed covering of the outlet pipe. New: It is no longer necessary to set the drain exactly on the right height of the screed. After filling in the screed, the salient nozzle is cut by a saw. The sealing kit may be inserted without any tools and takes care of a safe connection to the waterproofing. At the end the extension is adjusted and set into the drain. Please take care, that the edges of the frame are underlaid with tile glue to take maximum load. Please also see installation movie and movie „function of Primus blue“ at www.hl.at



HL541

HL0541.5E

HL037Pr.1E

HL037N.0

HL0541.2I

HL2020

HL0541.4E

HL541I

HL541K

HL0541.0E

HL0541.3E

HL-No.	Material	Dimension	Weight	EAN	Piece/package
HL541	PP/Stainless steel	DN40/50	-	+047642	1
HL541I	PP/Stainless steel	DN40/50	-	+047659	1
HL541-Quadra	PP/Stainless steel	DN40/50	-	-	1

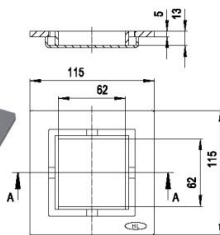
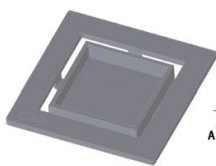
HL0541I, HL3120, HL3121, HL3122, HL3123, HL3124, HL3125, HL3127 Design grates

Daten

Material	Stainless steel V4A
Grate	Stainless steel grate 115 x 115 mm
Load classification	L – max. 1,5 t
Recommended for	Floor drain series HL70, HL80, HL300, HL304, HL310N, HL510N, HL90 combined with extensions HL3200 or HL3210 HL0541I: HL541



HL0541I



HL-No.	Dimension	Weight	EAN	Piece/package
3120	115 x 115 mm	425 g	+015412	1
3121	115 x 115 mm	425 g	+015429	1
3122	115 x 115 mm	425 g	+015443	1
3123	115 x 115 mm	425 g	+015443	1
3124	115 x 115 mm	425 g	+015450	1
3125	115 x 115 mm	425 g	+015467	1
3127	115 x 115 mm	430 g	+029037	1
0541I	115 x 115 mm			1