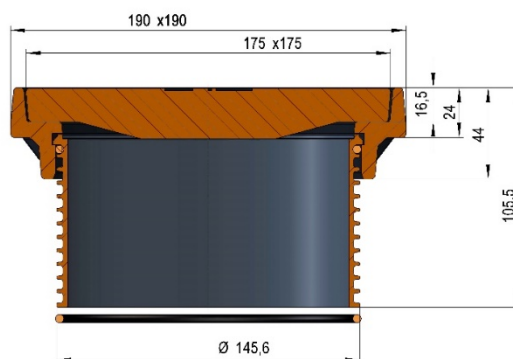


HL3910G Extension made of cast iron for terrace drain series HL3100T(H)K, HL5100T(H)K, HL3100(K) and HL5100(K)



Product description

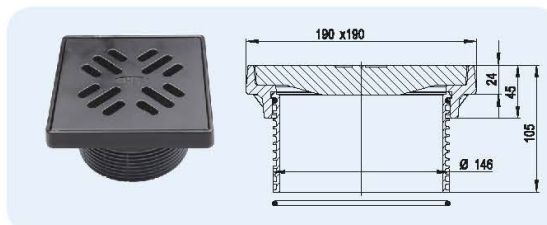
From beginning of October terrace drains of the HL-series „Terra“ are available with the extension HL3910G and may be ordered as article numbers HL3100TG, HL3100THG, HL5100TG and HL5100THG). Frame as well as grate are made of cast iron and suitable for the use up to 12,5t load. We recommend these drains for medium surfaces of e.g. parking areas, store rooms, garbage facilities or rooms with asphalt surfaces.

Also this cast iron extension HL3910G may be combined with our floor drain series HL3100K and HL5100K, as well as with the siphon spare parts HL05100.7E and HL2100.

HL3910G Extension with cast iron frame and grate

Data

Material	PP/Cast iron
Extension	Cast iron frame 190 x 190mm, cuttable in height 45-80mm
Inlet	Cast iron grate 175 x 175 mm
Load classification	B - 12,5 t
Recommended for	parking areas, store rooms, garbage facilities or rooms with asphalt surfaces

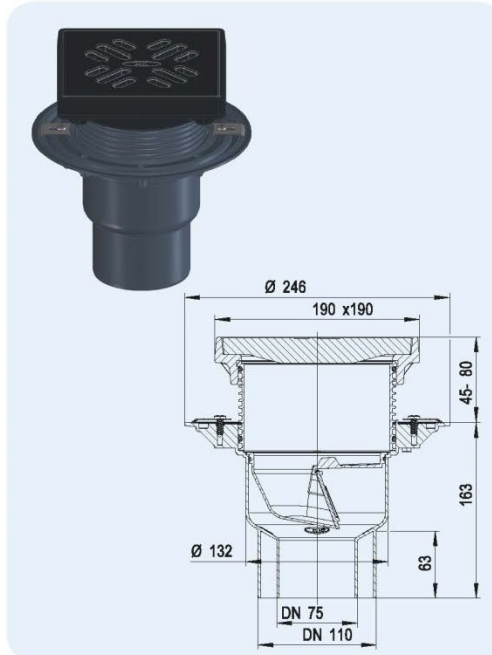


HL-No. 3910G	Dimension Ø 146 mm / 190 x 190 mm	Weight 11920 g	EAN +048793	Piece/package 1
-----------------	--------------------------------------	-------------------	----------------	--------------------

HL3100TG Drain vertical with cast iron frame and grate, with frost-proof flap

Data

Capacity	DN75=2,55l/s; DN110=2,2l/s
Material	PP/Cast iron
Outlet	DN75/110, vertical, pluggable
Extension	Cast iron frame 190 x 190mm, cuttable in height 45-80mm
Inlet	Cast iron grate 175 x 175 mm
Stench trap	Frost-proof flap
Standard	EN 1253
Load classification	B - 12,5 t
Additional information	For parking areas, store rooms, garbage facilities or rooms with as asphalt surfaces; Recess dimensions: 220 x 220 mm
Including	Lid cover

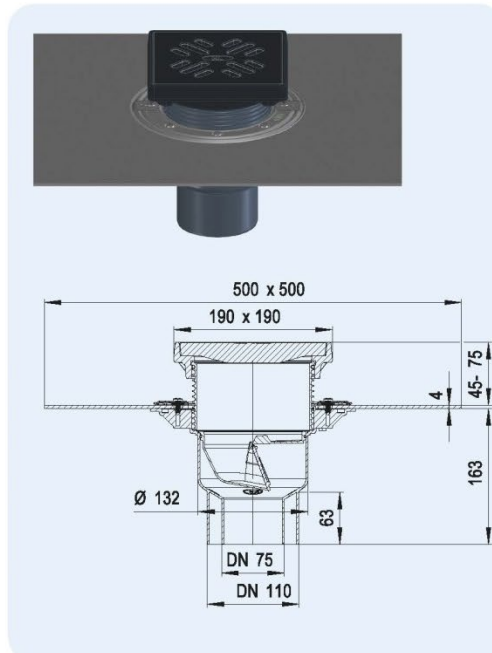


HL-No. 3100TG	Dimension DN75/110	Weight 12405 g	EAN +048755	Piece/package 1
------------------	-----------------------	-------------------	----------------	--------------------

HL3100THG Drain like HL3100TG, but with bitumen flange

Daten

Capacity	DN75=2,55l/s; DN110=2,2l/s
Material	PP/Cast iron, pre-welded bitumen flange
Outlet	DN75/110, vertical, pluggable
Extension	Cast iron frame 190 x 190mm, cuttable in height 45-80mm
Inlet	Cast iron grate 175 x 175 mm
Stench trap	Frost-proof flap
Standard	EN 1253
Load classification	B - 12,5 t
Additional information	For parking areas, store rooms, garbage facilities or rooms with as asphalt surfaces Recess dimensions: 220 x 220 mm
Including	Lid cover

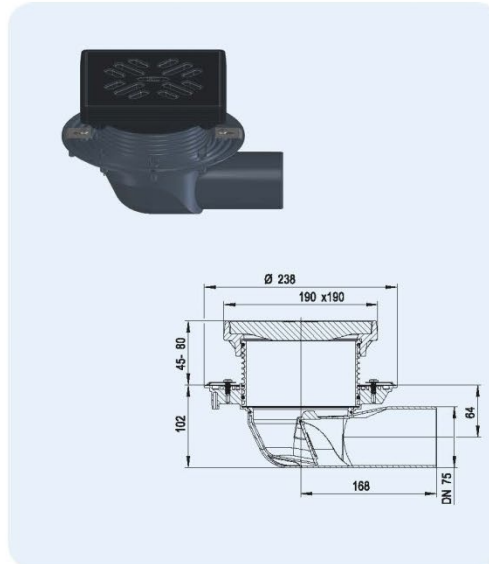


HL-No. 3100THG	Dimension DN75/110	Weight 13740 g	EAN +048762	Piece/package 1
-------------------	-----------------------	-------------------	----------------	--------------------

HL5100TG Drain horizontal with cast iron frame and grate, with frost-proof flap

Data

Capacity	2,9 l/s
Material	PP/Cast iron
Outlet	DN75, horizontal, pluggable
Extension	Cast iron frame 190 x 190mm, cuttable in height 45-80mm
Inlet	Cast iron grate 175 x 175 mm
Stench trap	Frost-proof flap
Standard	
Load classification	B - 12,5 t
Additional information	For parking areas, store rooms, garbage facilities or rooms with as asphalt surfaces; Recess dimensions: 220 x 340 mm
Including	Lid cover

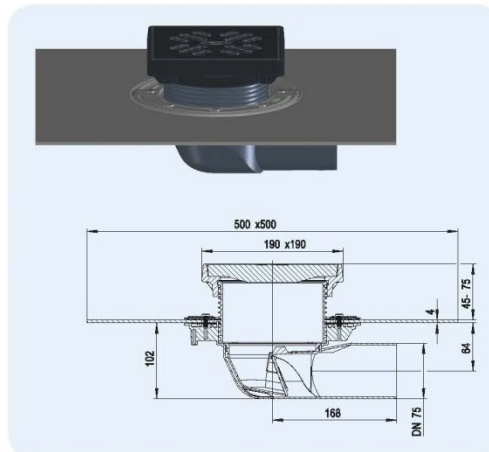


HL-No. 5100TG	Dimension DN75	Weight 12355 g	EAN +048809	Piece/package 1
------------------	-------------------	-------------------	----------------	--------------------

HL5100THG Drain like HL5100TG, but with bitumen flange

Data

Capacity	2,9 l/s
Material	PP/Cast iron, pre-welded bitumen flange
Outlet	DN75, horizontal, pluggable
Extension	Cast iron frame 190 x 190mm, cuttable in height 45-80mm
Inlet	Cast iron grate 175 x 175 mm
Stench trap	Frost-proof flap
Standard	EN 1253
Load classification	B - 12,5 t
Additional information	For parking areas, store rooms, garbage facilities or rooms with as asphalt surfaces; Recess dimensions: 220 x 340 mm
Including	Lid cover



HL-No. 5100THG	Dimension DN75	Weight 13715 g	EAN +048816	Piece/package 1
-------------------	-------------------	-------------------	----------------	--------------------