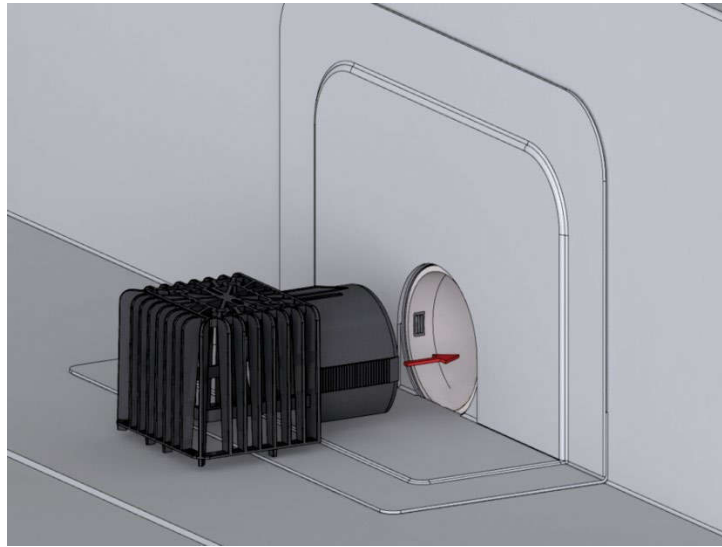


## Attica drains of HL68-series



### Product description

These new attica drains were made for advanced design of flat roofs, terraces and balconies. Beside of high quality these series show a lot of possibilities of combinations, to create different kinds of constructions of the flat roof. According to the kind of waterproofing material, these drains are equipped with bitumen- PVC- or FPO-flange. They are available as complete articles (incl. tablet + outlet pipe) or as spare parts, which may be combined later on (tablet extra and outlet pipe extra).

Delivery from November 2019.

### Features/advantages

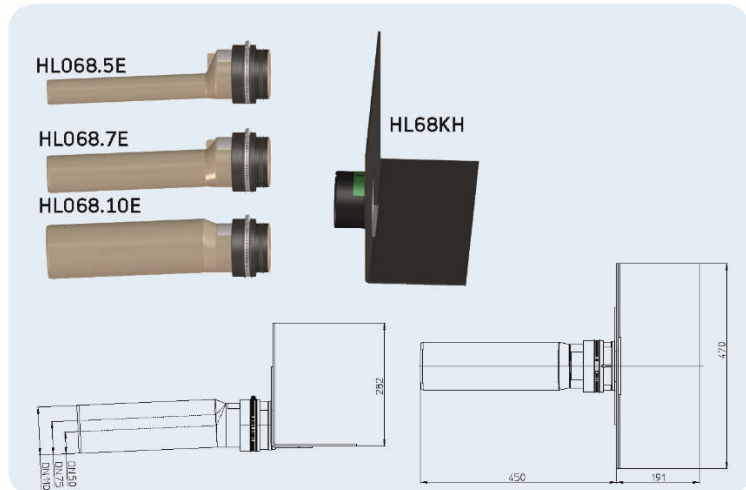
- Save connection between tablet and outlet pipe by pre-fabricated double gaskets. A pipe bracket cares additionally for advanced safety against mechanical stress.
- Attica drains with bitumen flange are equipped with an additional stainless steel inlet, which serves as a heat protection.
- The same drain body may be used as normal drain (with leaf catcher HL068.1E) or as emergency drain (with leaf catcher HL068.1Safe).
- In combination with a terrace drain (e.g. HL5100T) these drains may also be used, to lead the pipe through the attica (DN75).
- The drainage elements HL163 and HL164 may be connected to the HL spare parts HL83-series, extensions HL37N, HL3000, HL85N(H), HL340N) and drainage ring HL180. With these variations **all** drainage levels may be drained.

## HL Attica drains - Products - Data

### HL68H.0 Attica drain with bitumen membrane and PP-wastepipe

#### Data

<b>Capacity</b>	HL68H.0/50: 0,48 l/s HL68H.0/75: 0,72 l/s HL68H.0/110: 0,8 l/s <i>free outlet pipe and 35mm backwater height; for further information please see www.hl.at</i>
<b>Material</b>	PP, bitumen
<b>Connection</b>	HL68H.0/50: DN50 HL68H.0/75: DN75 HL68H.0/110: DN110
<b>Outlet</b>	horizontal with 2,5° incline
<b>Waterproofing</b>	with pre-welded bitumen membrane
<b>Recommended for</b>	bitumen waterproofings
<b>Additional information</b>	Notch dimension 140 x 140 mm / Ø 140 mm

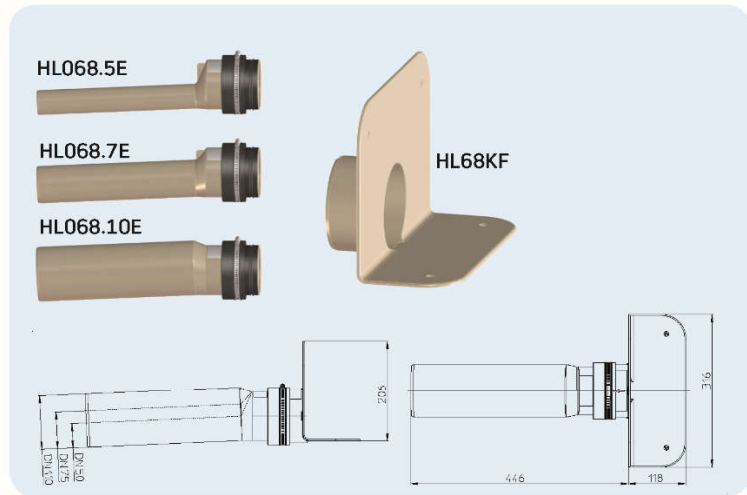


HL-No.	Dimension	Weight	EAN	Piece/package
68H.0/50	DN50			1
68H.0/75	DN75			1
68H.0/110	DN110			1

## HL68F.0 Attica drain with PP flange and PP-wastepipe

### Data

<b>Capacity</b>	HL68F.0/50: 0,48 l/s HL68F.0/75: 0,72 l/s HL68F.0/110: 0,8 l/s free outlet pipe and 35mm backwater height; for further information please see <a href="http://www.hl.at">www.hl.at</a>
<b>Material</b>	PP
<b>Connection</b>	HL68F.0/50: DN50 HL68F.0/75: DN75 HL68F.0/110: DN110
<b>Outlet</b>	horizontal with 2,5° incline
<b>Waterproofing</b>	PP, weldable with hot air
<b>Recommended for</b>	FPO waterproofings, based on PP
<b>Additional information</b>	Notch dimension 140 x 140 mm / Ø 140 mm

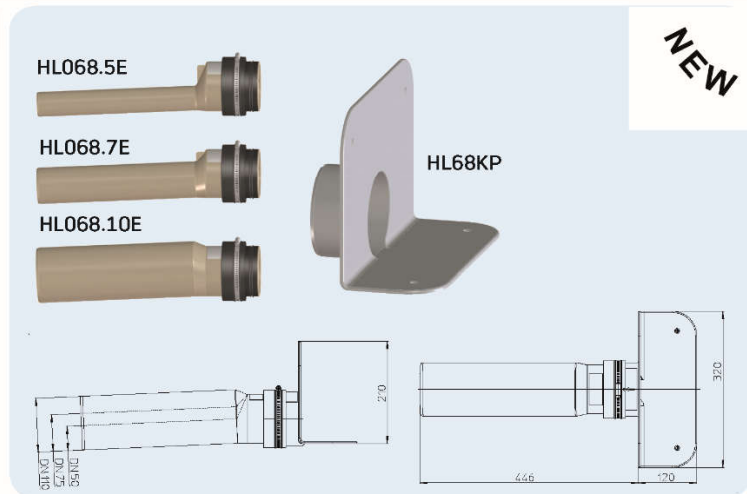


HL-No.	Dimension	Weight	EAN	Piece/package
68F.0/50	DN50			1
68F.0/75	DN75			1
68F.0/110	DN110			1

## HL68P.0 Attica drain with PVC flange and PP-wastepipe

### Data

<b>Capacity</b>	HL68P.0/50: 0,48 l/s HL68P.0/75: 0,72 l/s HL68P.0/110: 0,8 l/s free outlet pipe and 35mm backwater height; for further information please see <a href="http://www.hl.at">www.hl.at</a>
<b>Material</b>	PVC, PP
<b>Connection</b>	HL68P.0/50: DN50 HL68P.0/75: DN75 HL68P.0/110: DN110
<b>Outlet</b>	horizontal with 2,5° incline
<b>Waterproofing</b>	PVC, weldable with hot air
<b>Recommended for</b>	PVC waterproofings
<b>Additional information</b>	Notch dimension 140 x 140 mm / Ø 140 mm



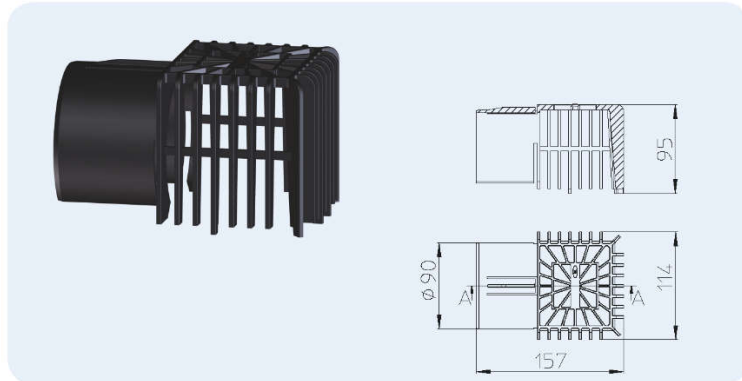
HL-No.	Dimension	Weight	EAN	Piece/package
68P.0/50	DN50			1
68P.0/75	DN75			1
68P.0/110	DN110			1

## HL Attica drains - Accessories - Data

### HL068.1E Leaf catcher for attica drains series HL68

#### Data

**Material** PP  
**Additional information** Fits to all attica drains 68-series

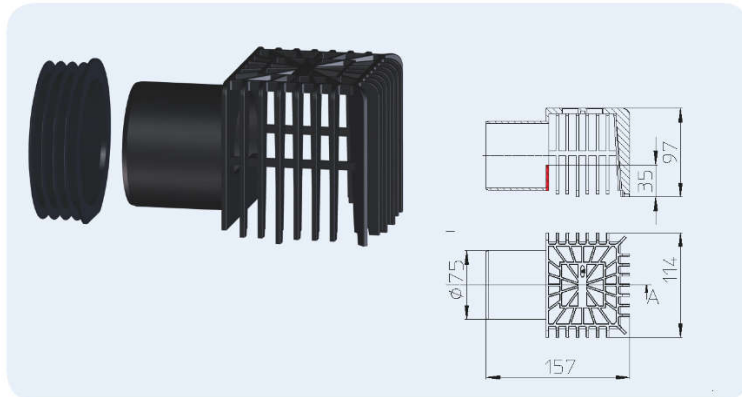


HL-No.	Dimension	Weight	EAN	Piece/package
068.1E				1

### HL068.1Safe Leaf catcher „emergency drainage“ for attica drains series HL68

#### Data

**Material** PP  
**Additional information** With 35mm overflow edge for emergency drainage; Fits to all attica drains 68-series

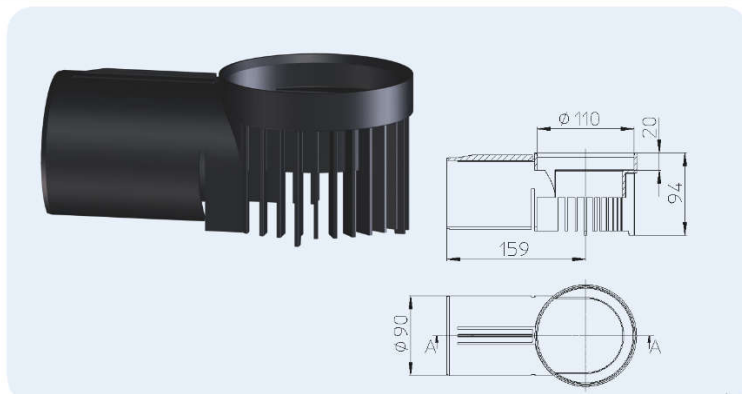


HL-No.	Dimension	Weight	EAN	Piece/package
068.1Safe				1

### HL163 Drain element for attica drains series HL68

#### Data

**Material** PP  
**Additional information** Fits to all attica drains 68-series; for drainage of converted roof constructions

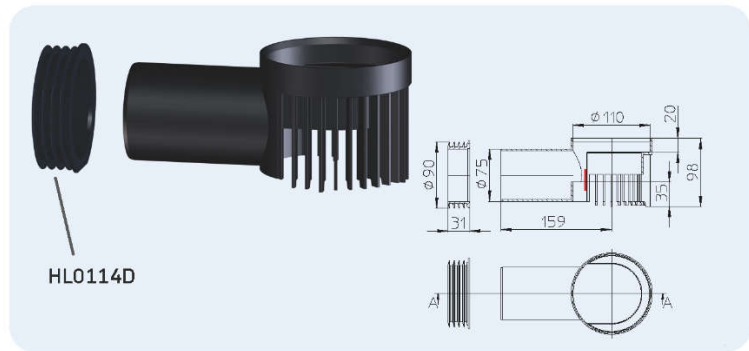


HL-No.	Dimension	Weight	EAN	Piece/package
163				1

**HL163Safe** Drain element „emergency drainage“ for attica drains series HL68

**Data**

**Material** PP  
**Additional information** Fits to all attica drains 68-series; for emergency drainage of converted roofs constructions (with 35mm overflow edge)

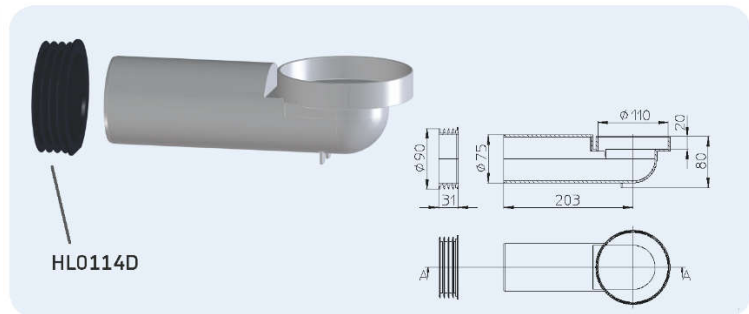


HL-No.	Dimension	Weight	EAN	Piece/package
163Safe				1

**HL164** Inlet element for attica drains series HL68

**Data**

**Material** PP  
**Additional information** For warm roof constructions



HL-No.	Dimension	Weight	EAN	Piece/package
164				1