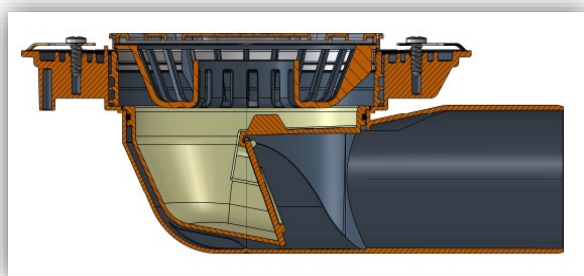
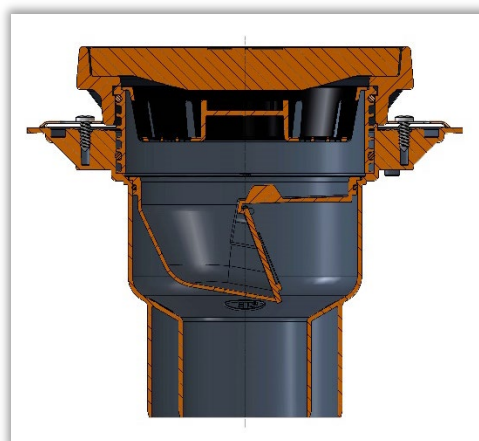


## HL05100T.0E

### Strainer for balcony and terrace series “Terra”



Icon picture HL5100T



icon picture HL3100TG

From now on all “Terra” drains, HL3100T(H)(G) and HL5100T(H)(G) will be equipped with a strainer. The strainer is located in the grate frame right below the grate and avoids the rinsing of leaves, gravel and other solids into the drain to prevent clogging of the pipe.

The overflow standpipe ensures that even with a covered strainer, an emergency operation with a capacity of 1 l/s is possible.

Following products are equipped with the strainer (HL05100T.0E) by default:

HL5100T, HL5100TH, HL5100TG, HL5100THG, HL3100T, HL3100TH, HL3100TG, HL3100THG

Shipping starting September 2021

Price: HL05100T.0E see pricing information; HL3100T(H)(G) und HL5100T (H)(G): prices stay the same