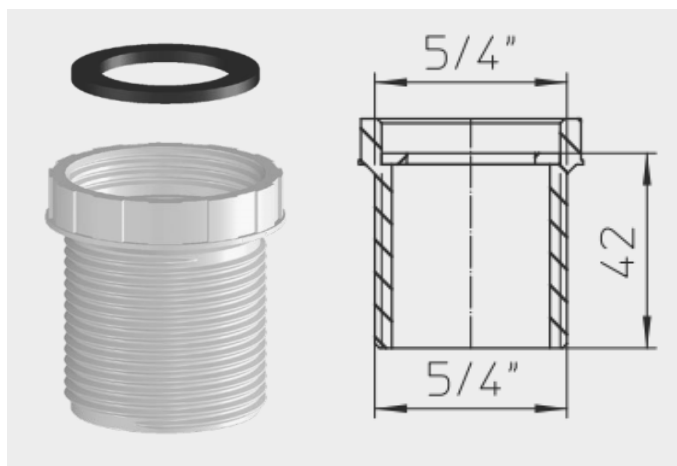


Infoblatt

HL12.5 thread extension 5/4"



Fig.1



Pic HL12.5

Tech.Dr. HL12.

The new thread extension HL12.5 is suitable for the use of unpressurized pipe connections and, in addition to versatile applications, is especially suitable for the connection of a space-saving traps and countertop washbasins (see Fig.1).

With the help of the extension, the distance between washbasin connection and trap (created by the thickness of the washbasin top) is compensated. This enables the installer to carry out an easy and safe installation.

The already existing range of reducing and spacer fittings of the HL12 series is therefore extended with the new thread extension 12.5.

Packaging: 10 pieces in PE-bag
500 pieces / karton box

Price: s. pricelist

Shipping: from 03/2023