

HL800/32

Pipe sleeve DN32 with pre-welded bitumen flange

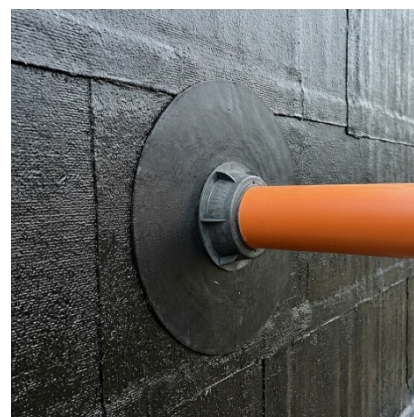
The proven HL800 pipe sleeve is now also available in the new nominal diameter DN32.

The new nominal diameter expands the HL800 series to include a solution specifically for PLT pipes for fresh water lines and other medium penetrations of smaller dimensions.



Horizontal pipe penetrations through earth-contacting basement walls are among the most critical details in structural waterproofing. In practice the pipe penetrations are often installed after waterproofing work is completed, which often results that the connection to the external waterproofing being carried out by improvised solutions.

The HL800 pipe sleeve providing a clearly defined, predictable wall connection for the permanently secure integration of pipes into the structural waterproofing.



HL800 Rohrabdichtung mit Bitumenkragen

Daten

Material	Gummi, Bitumen, PP
Anschluss	HL800/32: Ø 30 - 34 mm HL800/40-50: Ø 40 - 50 mm HL800/63-75: Ø 63 - 75 mm HL800/110: Ø 110 - 115 mm HL800/125: Ø 125 - 130 mm HL800/160: Ø 160 - 165 mm
Dichtheitsprüfung	6 m Wassersäule
Empfohlen	KMB-Massen, Polymerbitumen
Zusatzinformation	Die nahtlose Verbindung zwischen Rohr- und Gebäudeabdichtung sorgt für 100% Dichtheit



HL800/32
HL800/40-50
HL0800.4E

HL800/63-75
HL0800.5E

HL800/110
HL0800.1E

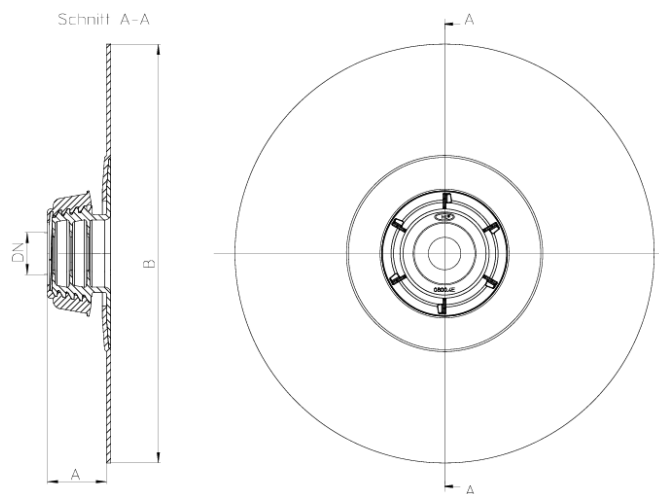
HL800/125
HL0800.3E

HL800/160
HL0800.2E

HL-Nr.	Dimension	Material	Gewicht	EAN	Stk./Verp.
HL800/32	DN32	Bitumen	810 g	+003686	1
HL800/40-50	DN40/50	Bitumen	810 g	+038305	1
HL800/63-75	DN63/75	Bitumen	920 g	+038275	1
HL800/110	DN110	Bitumen	1800 g	+021598	1
HL800/125	DN125	Bitumen	1900 g	+028276	1
HL800/160	DN160	Bitumen	2200 g	+021611	1

HL800 – Serie Abmessungen

Artikel	DN	A	B
HL800/32	30 - 34 mm	57 mm	Ø 400 mm
HL800/40-50	40 - 50 mm	57 mm	Ø 400 mm
HL800/63-75	63 - 75 mm	57 mm	Ø 400 mm
HL800/110	110 - 115 mm	80 mm	Ø 500 mm
HL800/125	125 - 130 mm	80 mm	Ø 500 mm
HL800/160	160 - 165 mm	80 mm	Ø 500 mm



New HL800/32 Available by: April 2026

Price: see pricelist