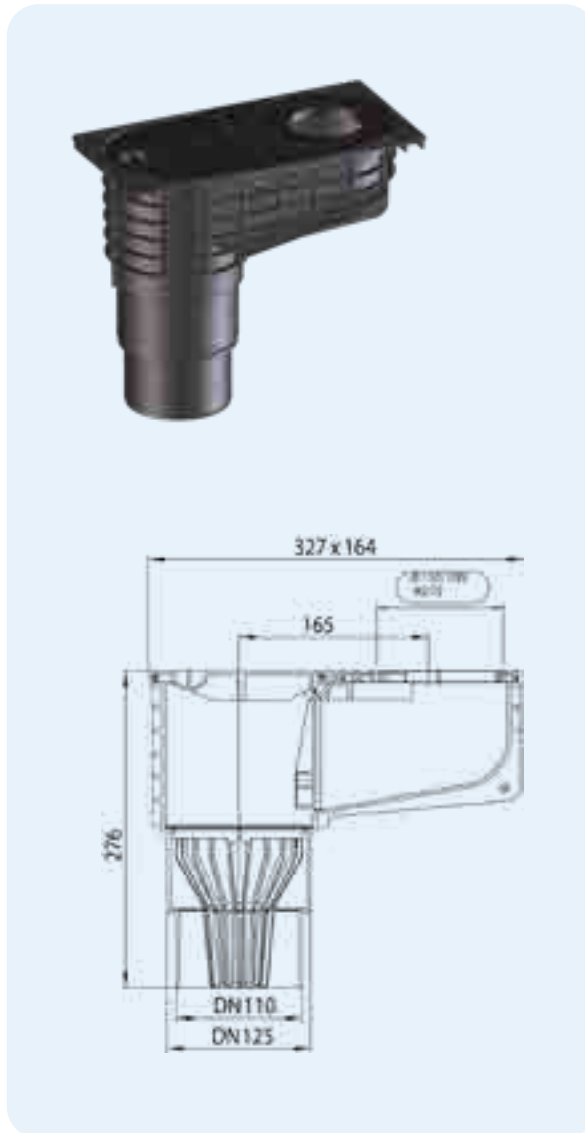


HL660/2, HL660/2-80 Rain hopper
HL660E Rain hopper

Data

Capacity	6,6 l/s
Material	PP (Polipropilen)
Connection dimension	DN110/125
Outlet	Vertical
Stench trap	Frostproof flap
Standard	DIN 19560
Recommended for	Connection between rainwater downpipe and sewage pipe
Including	Leaf catcher, cleaning flap, adapter rings for downpipes HL660/2: Ø 75, 90, 100, 110 mm HL660/2-80: Ø 80, 100, 110 mm HL660E adapter insert, Ø 75 - 120 mm (to be cut out)



HL660E



HL660/2-80



HL660/2



HL0600.02E



HL0600.4E



HL0600.3E



HL-No.	Dimension	Weight	EAN	Piece/package
660/2	DN110/125	800 g	+011902	1
660/2-80	DN110/125	800 g	+012626	1
660E	DN110/125	800 g	+029556	1