



SIPHONS ABLÄUFE



120-325

R6/4"



42



DN40 = 95-270
DN50 = 100-280

HL Siphons

1. Kitchen

1



HL Kitchen siphons

Basic information about design and installation

HL supplies a lot of different possibilities of connecting and siphoning kitchen sinks and washing devices (dishwashers). Here are answers to the most frequently ask questions.

▲ **Prevention from pluggings:**

When connecting the kitchen sink, you should always take care, to use minimum DN40 pipes and siphons, to avoid a plugging (by e.g. cooking fat).

▲ **Sound minimisation:**

When wastewater from e.g. dishwashers flows into the siphon, a high sound level occurs, when the sewage impinges on the water seal. Therefore we recommend, to use kitchen traps with double wall immersion tubes, like e.g. HL100, HL126 and HL126.2

▲ **Prevention from backwater to the washing device:**

When the sewer is plugged, there is a big risk, that the sewer flows back to the dishwasher. Therefore we recommend the usage of washing device connectors with integrated backflow flaps (all types of HL are provided

with adequate membranes). To upgrade existing connectors without backflow flaps we recommend the usage of HL3.

▲ **Prevention from leakage:**

Leakage water is one of the most common reasons for reclamations in fitted kitchens, as it is recognized very late and therefore expensive. To prevent from claims, the plumber should take care of save and tight connections to the sink. HL provides it's siphons with plastic gaskets and cap nuts, which are on the one hand waterproof and on the other hand save only by turning by hand.

▲ **Flexibility:**

As the connection to the sewage pipe mostly is in the wall and therefore in an inconvenient position, it is important to reach the pipe inlet by turning or bowing. HL enables the plumber to connect the siphon to the wallside inlet of the pipe without tension.

▲ **Overflow:**

When buying a kitchen sink, please take care, that it is supplied together with a fitting overflow kit. HL supplies standard overflow kits, which in fact do not fit to all sinks.

▲ **Space saving:**

To use the whole space under the kitchen sink for storage, it is useful, to install siphons, which are located directly to the wall. Our types HL126 and HL126.2 are equipped with adequate connectors (HL26), so that an installation close to the wall is possible.

Relevant standards/directives

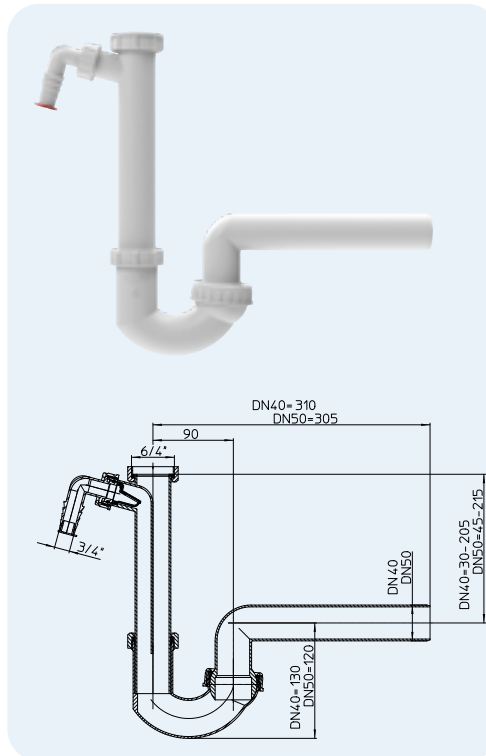
EN 274 Drains and siphons for sanitary equipment

HL Kitchen siphons – Products – Data

HL100 Tubular trap with backwater membrane connector for washing devices

Data

Material	PP
Connection dimension	6/4" Cap nut
Outlet dimension	HL100/40: DN40 HL100/50: DN50
Standard	EN 274
Recommended for	Kitchen sinks with dishwasher
Additional information	Adjustable immersion tube and ball joint included
	Temperature-resistant up to 95°C

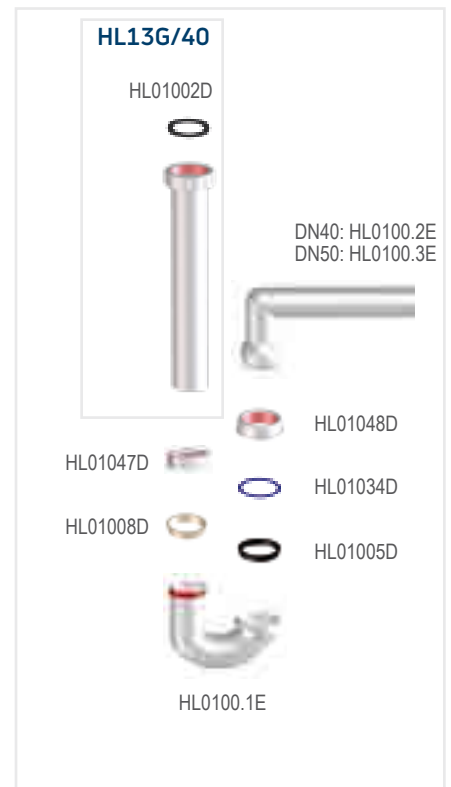
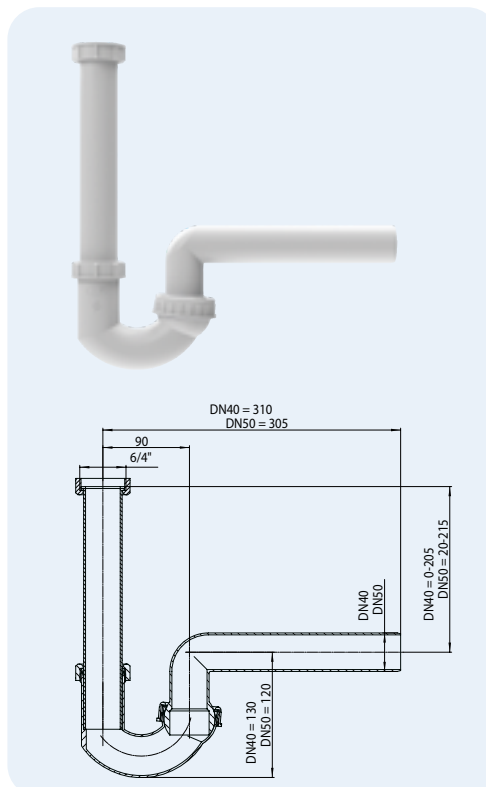


HL-No.	Dimension	Weight	EAN	Piece/package
100/40	DN40	260 g	+110049	10
100/50	DN50	265 g	+110056	10

HL100G Tubular trap

Data

Material	PP
Connection dimension	6/4" Cap nut
Outlet dimension	HL100G/40: DN40 HL100G/50: DN50
Standard	EN 274
Recommended for	Kitchen sink
Additional information	Adjustable immersion tube and ball joint included
	Temperature-resistant up to 95°C

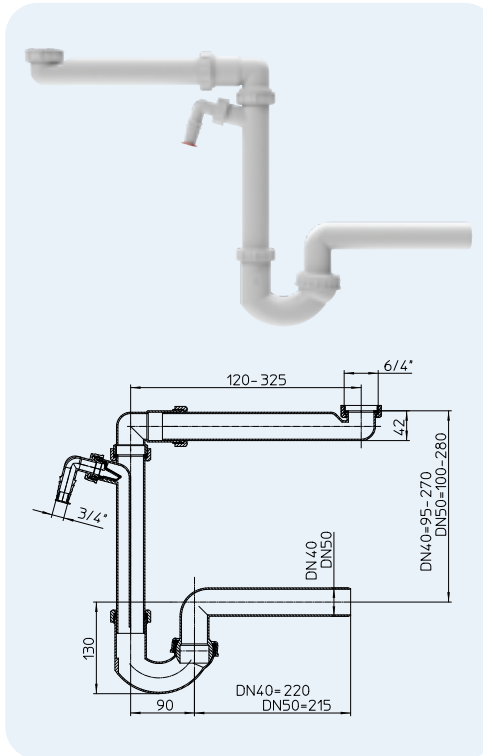


HL-No.	Dimension	Weight	EAN	Piece/package
100G/40	DN40	220 g	+110841	10
100G/50	DN50	225 g	+110858	10

HL126 Space saving trap with backwater membrane connector

Data

Material	PP
Connection dimension	6/4" Cap nut
Outlet dimension	HL126/40: DN40 HL126/50: DN50
Standard	EN 274
Recommended for	Kitchen sinks with dishwasher
Additional information	Adjustable immersion tube and ball joint included
	Temperature-resistant up to 95°C

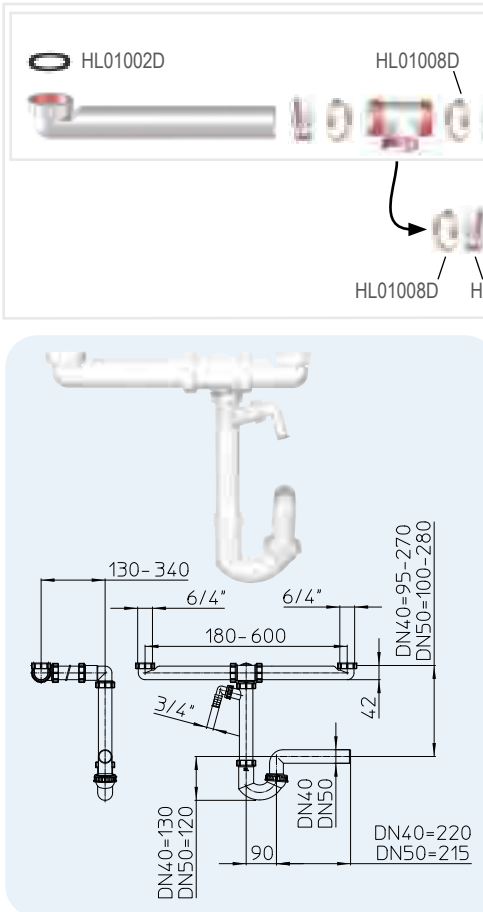


HL-No.	Dimension	Weight	EAN	Piece/package
126/40	DN40	385 g	+013890	10
126/50	DN50	395 g	+013913	10

HL126.2 Space saving trap with backwater membrane connector for double sinks

Data

Material	PP
Connection dimension	2 x 6/4" Cap nut
Outlet dimension	HL126.2/40: DN40 HL126.2/50: DN50
Standard	EN 274
Recommended for	Double kitchen sinks and dishwasher
Additional information	Adjustable immersion tube and ball joint included
	Temperature-resistant up to 95°C



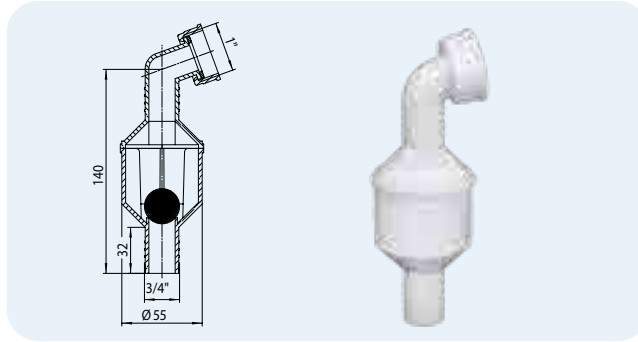
HL-No.	Dimension	Weight	EAN	Piece/package
126.2/40	DN40	580 g	+013654	1
126.2/50	DN50	590 g	+013944	1

HL Kitchen siphons – Accessories – Data

HL3 Non-return valve

Data

Material	PP
Connection dimension	3/4" Hose nozzle (17 – 23 mm)
Outlet dimension	1"
Recommended for	Dishwasher connector without backwater membrane
Additional information	Prevents from backwater to the washing device, Temperature-resistant up to 95°C

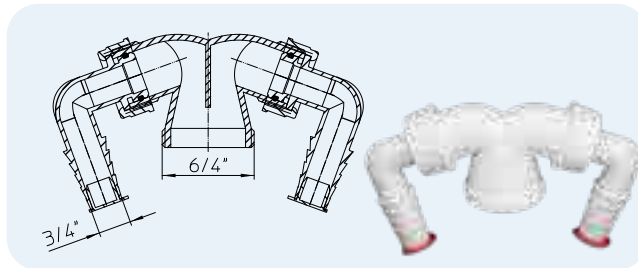


HL-No.	Dimension	Weight	EAN	Piece/package
3		60 g	+500031	1

HL6 Double connector with 2 hose nozzles HL19

Data

Material	PP
Connection dimension	2 x 3/4" Hose nozzle (17 – 23 mm)
Outlet dimension	6/4" Male thread
Standard	EN 274
Recommended for	Connection of 2 washing devices
Additional information	Temperature-resistant up to 95°C

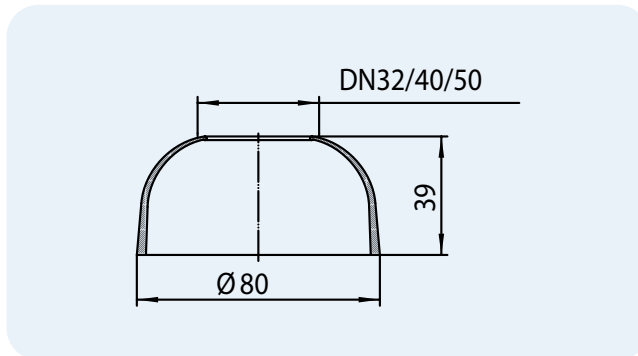


HL-No.	Dimension	Weight	EAN	Piece/package
6		60 g	+500062	1

HL8EL Flexible covering rosette

Data

Material	PP-soft
Connection dimension	HL8EL/30: DN32 HL8EL/40: DN40 HL8EL/50: DN50
Outlet dimension	HL8EL/30: DN32 HL8EL/40: DN40 HL8EL/50: DN50
Recommended for	the covering of the connection between siphon and wall inlet pipe
Additional information	Flexible version, fits to both pipe and wall

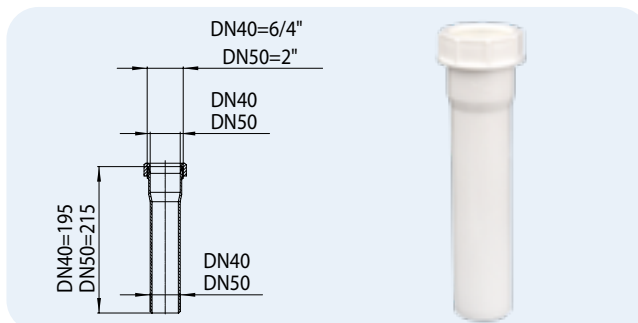


HL-No.	Dimension	Weight	EAN	Piece/package
8EL/30	DN32	8 g	+100835	10
8EL/40	DN40	10 g	+100842	10
8EL/50	DN50	15 g	+100859	10

HL10 Extension tube

Data

Material	PP
Connection dimension	HL10/40: DN40 Socket HL10/50: DN50 Socket
Outlet dimension	HL10/40: DN40 Pipe HL10/50: DN50 Pipe
Standard	EN 274
Recommended for	Extending of siphons installed on the wall
Additional information	Pull-out save by a wedge shaped gasket and cap nut.

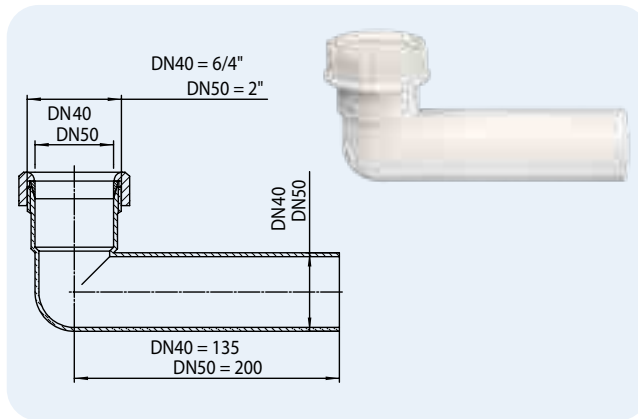


HL-No.	Dimension	Weight	EAN	Piece/package
10/40	DN40	60 g	+100101	10
10/50	DN50	65 g	+110100	10

HL11 90° angled elbow

Data

Material	PP
Connection dimension	HL11/40: DN40 Socket HL11/50: DN50 Socket
Outlet dimension	HL11/40: DN40 Pipe HL11/50: DN50 Pipe
Standard	EN 274
Recommended for	Extending of siphons installed on the wall
Additional information	Pull-out save by a wedge shaped gasket and cap nut.

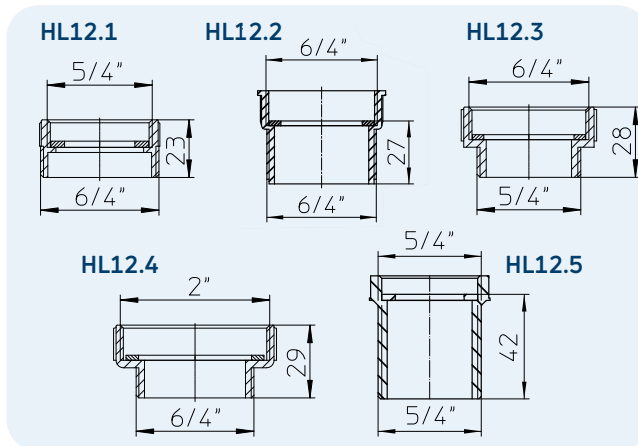


HL-No.	Dimension	Weight	EAN	Piece/package
11/40	DN40	60 g	+100118	10
11/50	DN50	65 g	+110117	10

HL12 Adapter ring

Data

Material	PP
Connection dimension	HL12.1: 5/4"IG x 6/4" Male thread HL12.2: 6/4"IG x 6/4" Male thread HL12.3: 6/4"IG x 5/4" Male thread HL12.4: 2"IG x 6/4" Male thread HL12.5: 5/4"IG x 5/4" Male thread
Standard	EN 274
Recommended for	Extension or reduction of threaded connectors
Additional information	Usage only for non-pressure pipes!

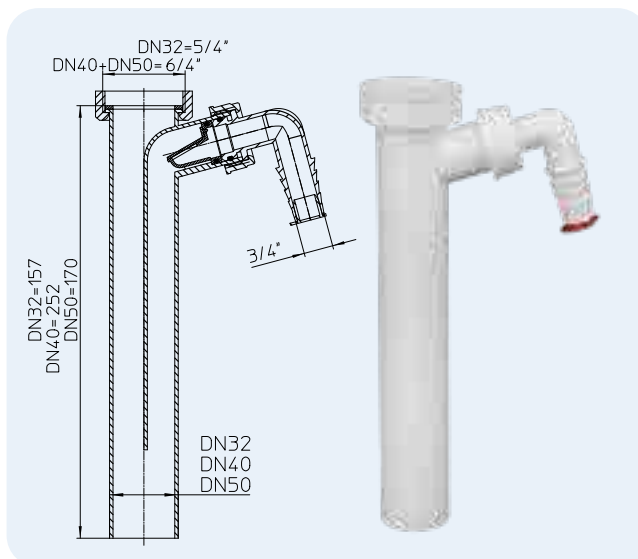


HL-No.	Dimension	Weight	EAN	Piece/package
12.1	5/4" x 6/4"	12 g	+100125	10
12.2	6/4" x 6/4"	20 g	+101221	10
12.3	6/4" x 5/4"	27 g	+101238	10
12.4	2" x 6/4"	20 g	+101245	10
12.5	5/4" x 5/4"	16 g	+051540	10

HL13 Immersion tube with washing device hose nozzles

Data

Material	PP
Connection dimension	HL13/30: 5/4" Cap nut HL13/40: 6/4" Cap nut HL13/50: 6/4" Cap nut
Outlet dimension	HL13/30: DN32 HL13/40: DN40 HL13/50: DN50
Standard	EN 274
Recommended for	To create a washing device connection to the siphon
Additional information	Backwater save, minimal sound by double wall

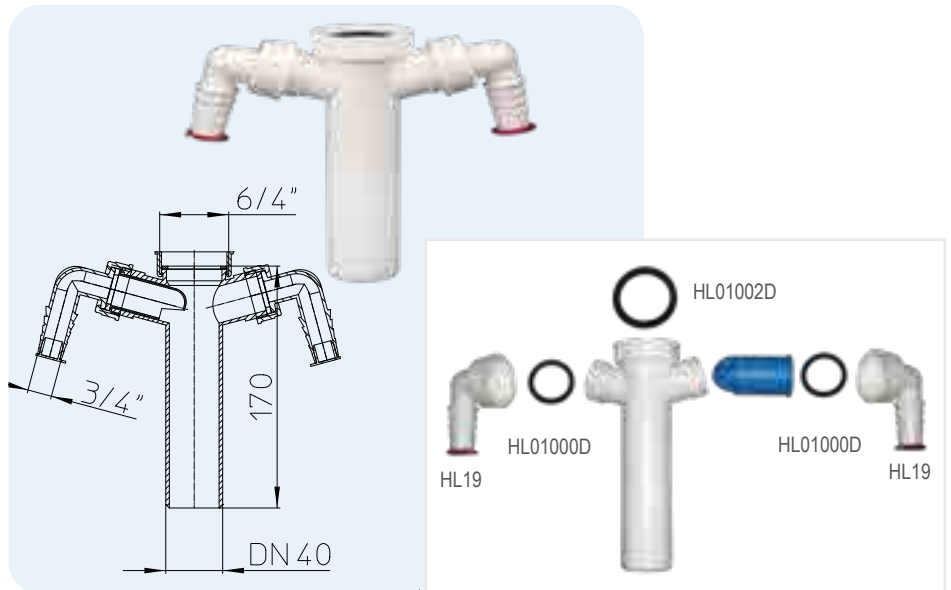


HL-No.	Dimension	Weight	EAN	Piece/package
13/30	DN32 x 5/4"	100 g	+101337	10
13/40	DN40 x 6/4"	110 g	+101344	10
13/50	DN50 x 6/4"	115 g	+101351	10

HL13-2/40 Immersion tube with 2 washing device hose nozzles

Data

Material	PP
Connection dimension	6/4" cap nut
Outlet dimension	DN40
Standard	EN 274
Recommended for	Connection of 2 washing devices
Additional information	Problem solver, if single connectors are missing

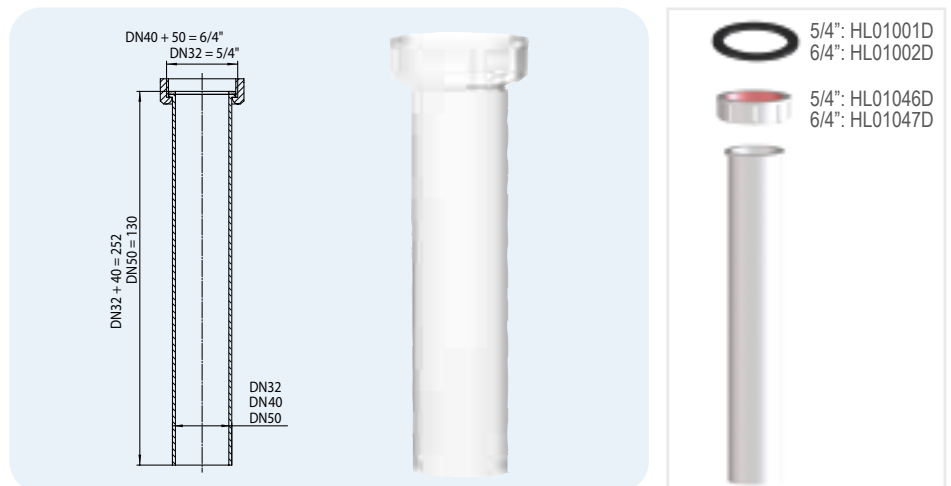


HL-No. 13-2/40	Dimension DN40 x 6/4"	Weight 100 g	EAN +132409	Piece/package 10
-------------------	--------------------------	-----------------	----------------	---------------------

HL13G Immersion tube

Data

Material	PP
Connection dimension	HL13G/30: 5/4" Cap nut HL13G/40: 6/4" Cap nut HL13G/50: 6/4" Cap nut
Outlet dimension	HL13G/30: DN32 HL13G/40: DN40 HL13G/50: DN50
Standard	EN 274
Recommended for	Connector to the kitchen siphon
Additional information	Universally usable

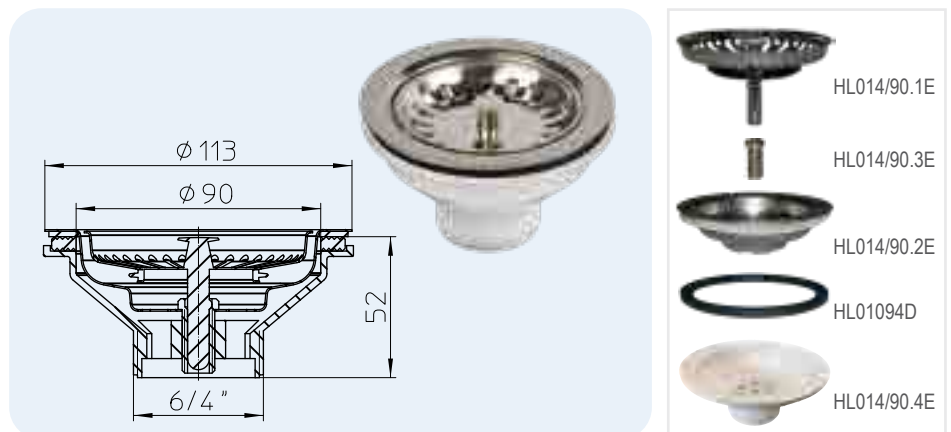


HL-No. 13G/30	Dimension DN32 x 5/4"	Weight 70 g	EAN +111336	Piece/package 10
13G/40	DN40 x 6/4"	80 g	+111343	10
13G/50	DN50 x 6/4"	85 g	+111398	10

HL14/90 Waste outlet

Data

Material	PP/stainless steel
Outlet dimension	6/4" male thread
Standard	EN 274
Recommended for	Kitchen sinks with outlet 90mm (3")
Additional information	Stainless steel valve disc Ø 113 mm and stainless steel plug included As accessory: Screw 7 cm Article No.: HL014/90.5E

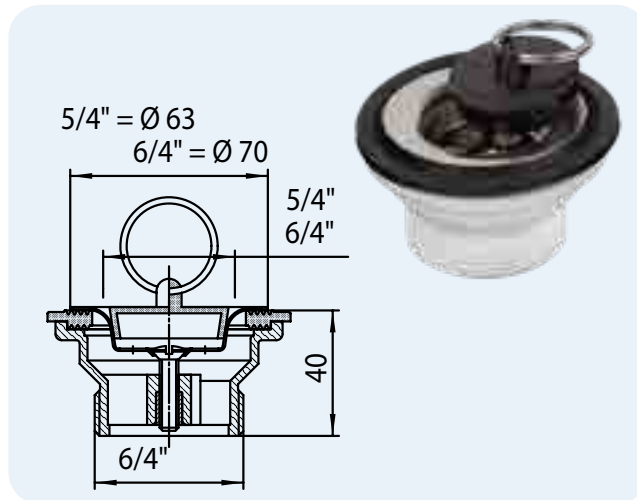


HL-No. 14/90	Dimension 6/4"	Weight 187 g	EAN +026289	Piece/package 1
-----------------	-------------------	-----------------	----------------	--------------------

HL15 Waste outlet

Data

Material	PP/stainless steel
Connection dimension	HL15-5/4": 5/4" Waste outlet HL15-6/4": 6/4" Waste outlet
Outlet dimension	HL15-5/4": 6/4" male thread HL15-6/4": 6/4" male thread
Standard	EN 274
Recommended for	Kitchen sinks with outlet 50mm (6/4") or 40mm (5/4")
Additional information	Valve disc and plug included

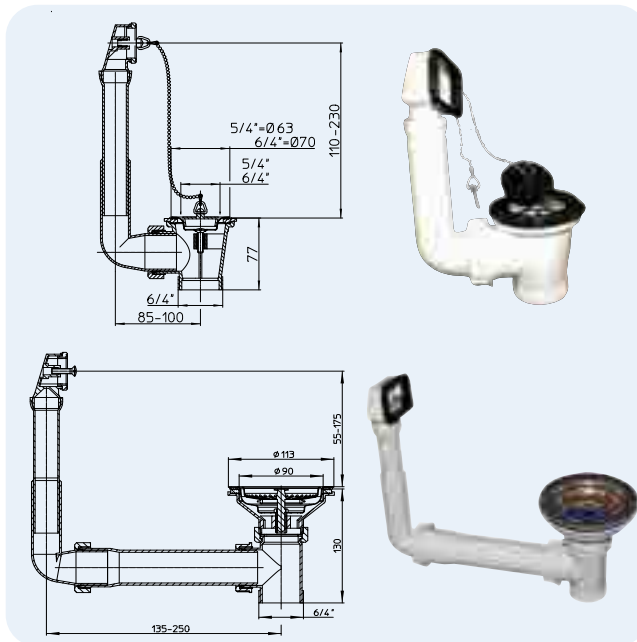


HL-No.	Dimension	Weight	EAN	Piece/package
15-5/4	5/4" x 6/4"	80 g	+101559	10
15-6/4	6/4" x 6/4"	90 g	+100156	10

HL15U Waste outlet with overflow, valve disc and plug

Data

Material	PP/stainless steel
Connection dimension	HL15U-5/4": 5/4" Waste outlet HL15U-6/4": 6/4" Waste outlet
Outlet dimension	HL15U-5/4": 6/4" male thread HL15U-6/4": 6/4" male thread
Recommended for	Kitchen sinks with outlet 50mm (6/4") or 40mm (5/4") with overflow
Additional information	Fits to standard overflow holes

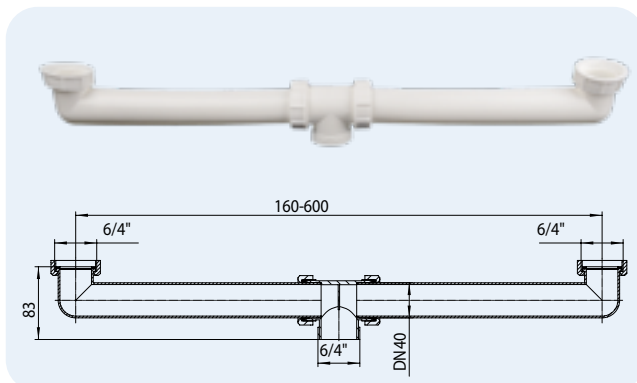


HL-No.	Dimension	Weight	EAN	Piece/package
15U-5/4	5/4" x 6/4"	200 g	+105755	5
15U-6/4	6/4" x 6/4"	210 g	+100576	5
15U-90	Ø 90 x 6/4"	370 g	+035892	1

HL22 Outlet connector

Data

Material	PP
Connection dimension	6/4" Cap nut
Outlet dimension	6/4" male thread
Standard	EN 274
Recommended for	Double kitchen sinks
Additional information	Adjustment 160 – 600 mm

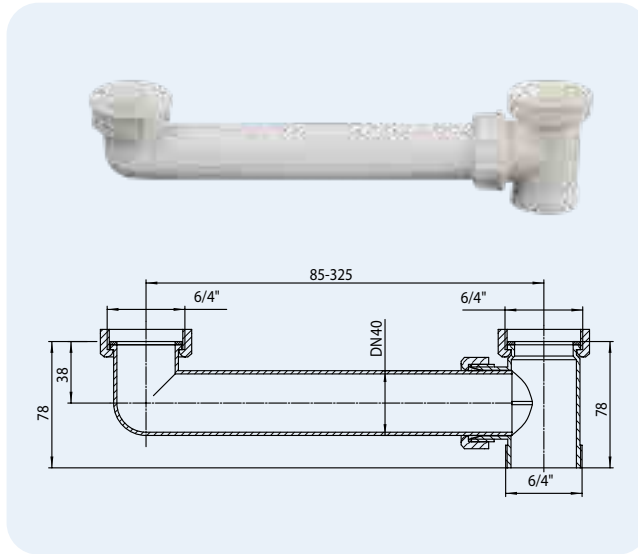


HL-No.	Dimension	Weight	EAN	Piece/package
22	DN40 x 6/4"	200 g	+100224	1

HL23 Outlet connector

Data

Material	PP
Connection dimension	6/4" Cap nut
Outlet dimension	6/4" male thread
Standard	EN 274
Recommended for	Double kitchen sinks
Additional information	Adjustment 85 – 325 mm

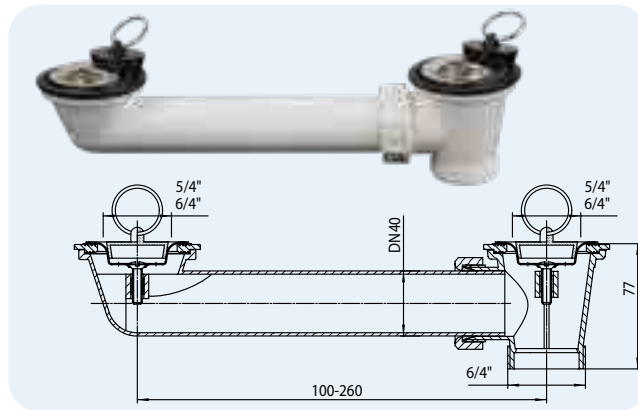


HL-No. 23	Dimension DN40	Weight 125 g	EAN +100231	Piece/package 10
--------------	-------------------	-----------------	----------------	---------------------

HL24 Outlet connector

Data

Material	PP/stainless steel
Connection dimension	HL24-5/4": 5/4" Waste outlet HL24-6/4": 6/4" Waste outlet
Outlet dimension	HL24-5/4": 6/4" male thread HL24-6/4": 6/4" male thread
Standard	EN 274
Recommended for	Double sinks
Additional information	With valve disc and plug

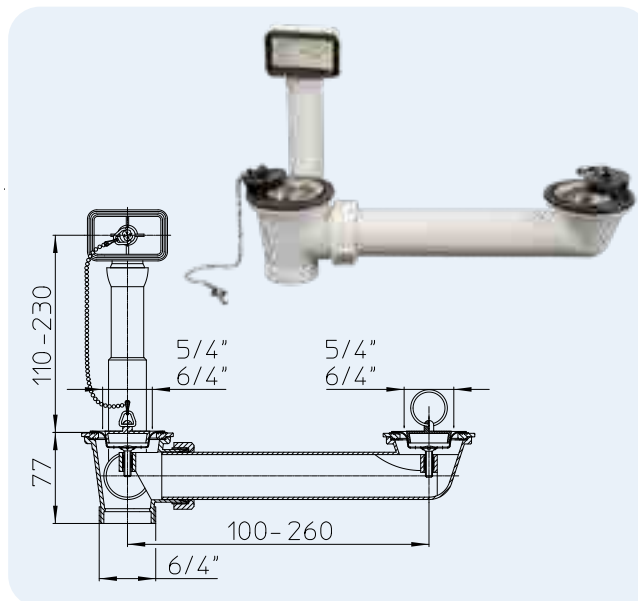


HL-No. 24-5/4 24-6/4	Dimension DN40 x 5/4" DN40 x 6/4"	Weight 125 g 135 g	EAN +102457 +100248	Piece/package 10 10
----------------------------	---	--------------------------	---------------------------	---------------------------

HL24U Outlet connector

Data

Material	PP/stainless steel
Connection dimension	HL24U-5/4": 2 x 5/4" Waste outlet HL24U-6/4": 2 x 6/4" Waste outlet
Outlet dimension	HL24U-5/4": 6/4" male thread HL24U-6/4": 6/4" male thread
Standard	EN 274
Recommended for	Double sinks with outlet 50mm (6/4") or 40mm (5/4")
Additional information	With valve disc, outlet and plug Fits to standard overflow holes Adjustment 100 – 260 mm

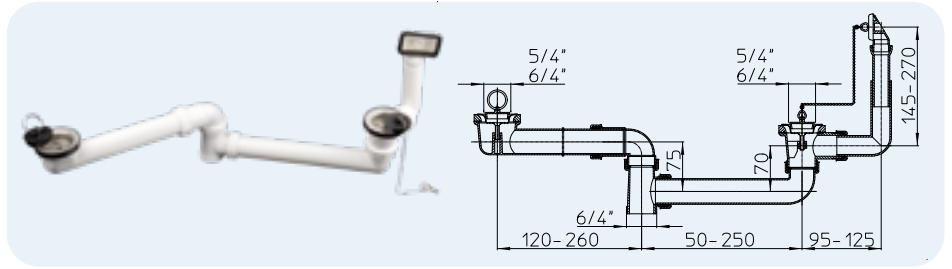


HL-No. 24U-5/4 24U-6/4	Dimension DN40 x 5/4" DN40 x 6/4"	Weight 360 g 370 g	EAN +124756 +112470	Piece/package 5 5
------------------------------	---	--------------------------	---------------------------	-------------------------

HL25U Outlet connector for reversible double sinks

Data

Material	PP/stainless steel
Connection dimension	2 x 6/4" Waste outlet
Outlet dimension	6/4" male thread
Standard	EN 274
Recommended for	Double sinks with outlet 50mm (6/4") or 40mm (5/4")
Additional information	With valve disc, outlet and plug Fits to standard overflow holes

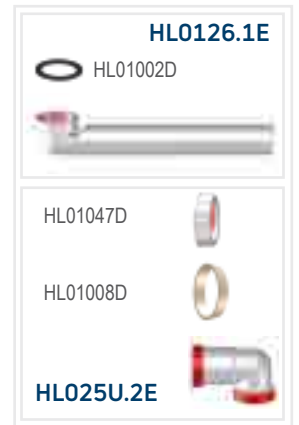
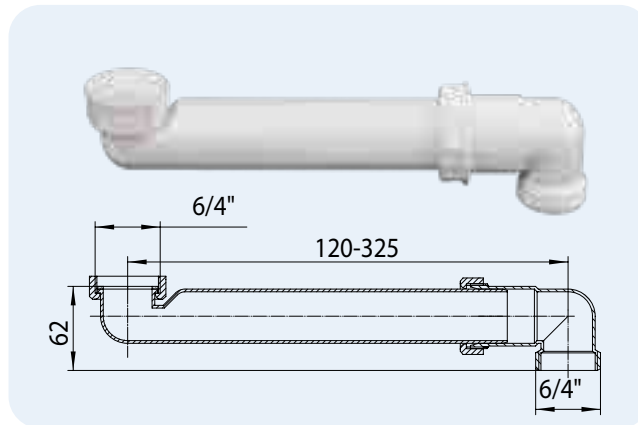


HL-No. 25U-6/4	Dimension DN40 x 6/4"	Weight 500 g	EAN +925643	Piece/package 1
-------------------	--------------------------	-----------------	----------------	--------------------

HL26 Space saving connector

Data

Material	PP
Connection dimension	6/4" Cap nut
Outlet dimension	6/4" male thread
Standard	EN 274
Recommended for	Space saving placement of the siphon
Additional information	For converting HL100 to HL126

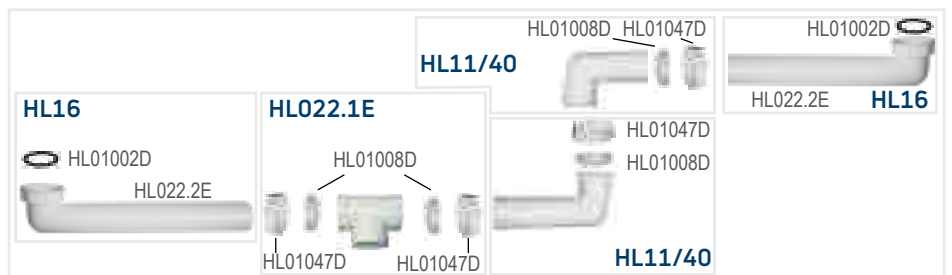
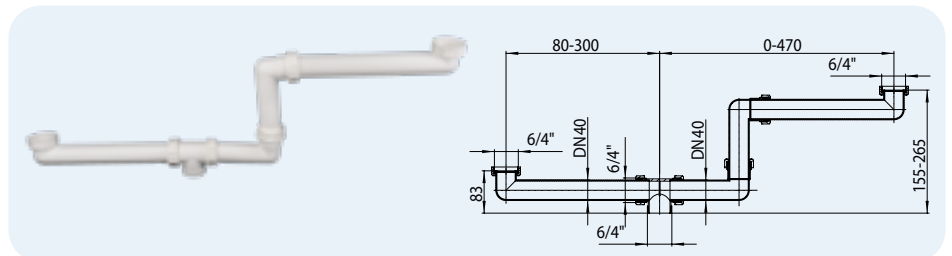


HL-No. 26	Dimension DN40 x 6/4"	Weight 128 g	EAN +100262	Piece/package 10
--------------	--------------------------	-----------------	----------------	---------------------

HL27 Outlet connector

Data

Material	PP
Connection dimension	2 x 6/4" Cap nut
Outlet dimension	6/4" male thread
Standard	EN 274
Recommended for	Double sinks with height offset

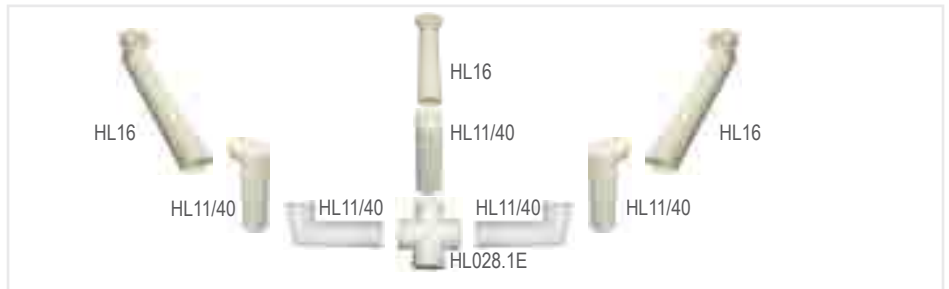
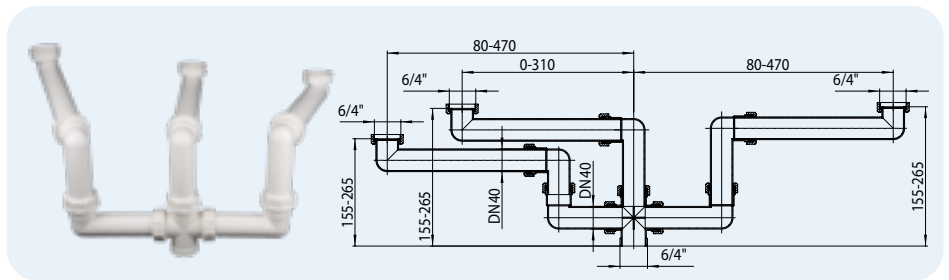


HL-No. 27	Dimension DN40 x 6/4"	Weight 332 g	EAN +100279	Piece/package 1
--------------	--------------------------	-----------------	----------------	--------------------

HL28 Outlet connector

Data

Material	PP
Connection dimension	3 x 6/4" Cap nut
Outlet dimension	6/4" male thread
Standard	EN 274
Recommended for	Double sinks with height offset



HL-No.	Dimension	Weight	EAN	Piece/package
28	DN40 x 6/4"	575 g	+100286	1