



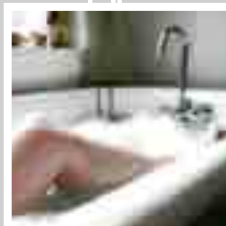
SIPHONS ABLÄUFE



HL Products

19. Accessories

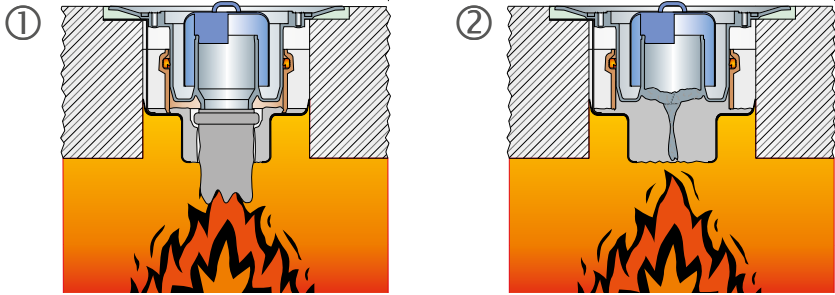
19



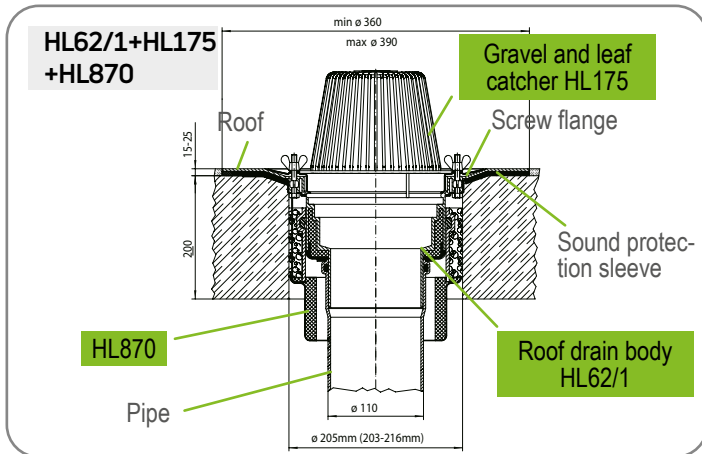
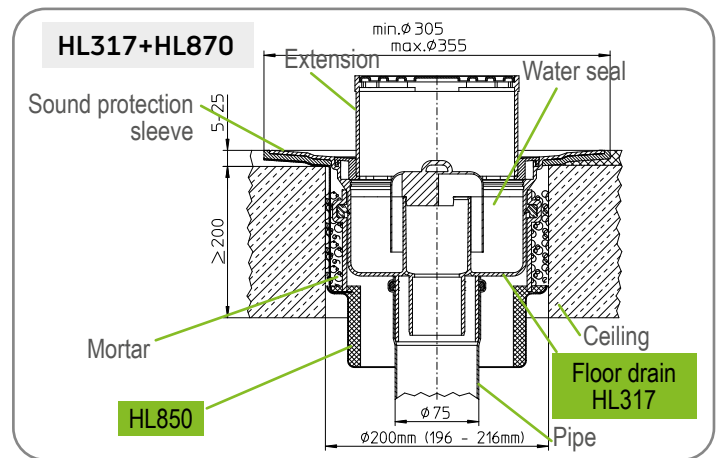
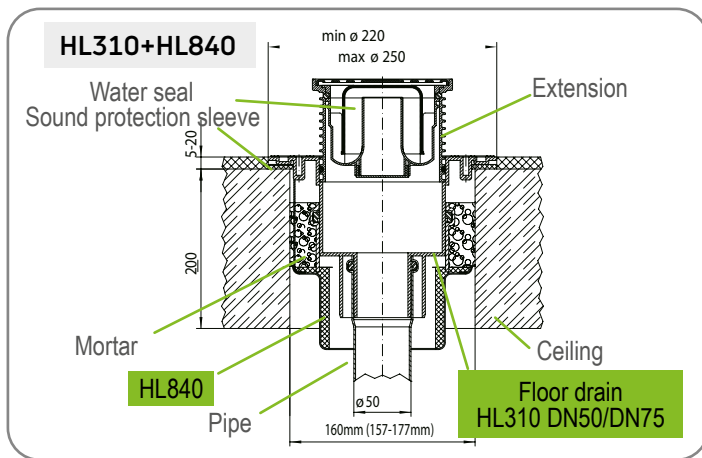
HL Fire protection – Function

Function in case of fire

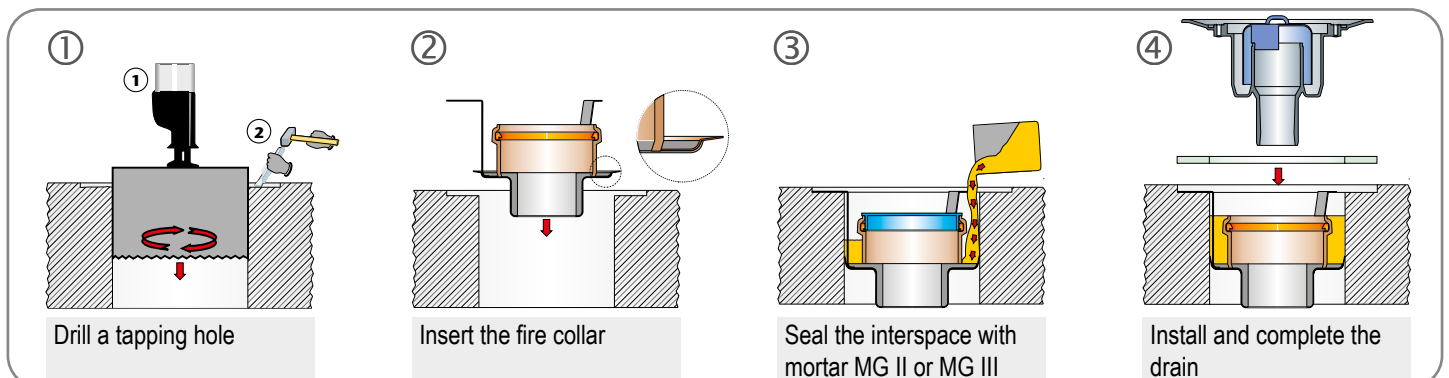
This assembly prevents the spread of fire to another floor. Intumescent material in the metal housing starts to expand at a temperature of 150°C and completely seals the hole in the ceiling. Heat, fire and smoke cannot pass into the next fire section.



HL Fire protection – Sectional drawings



HL Fire protection – Installation steps

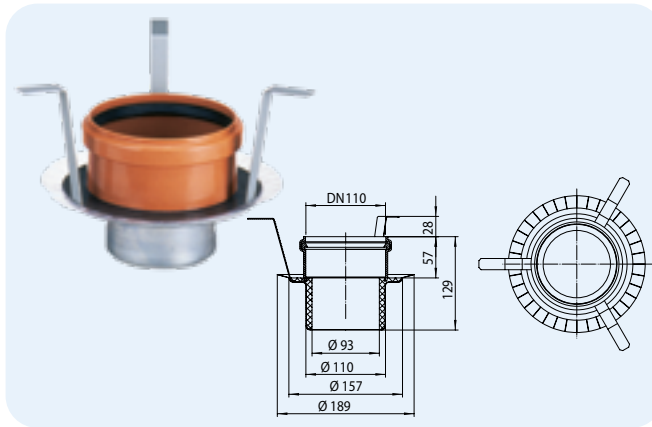


HL Accessories – Products – Data

HL840 Fire protection collar

Data

Fire protection class	R90/120
Tapping hole diameter	HL840: Ø 160 mm (157 – 177 mm)
Fits to	HL310-series DN50/75

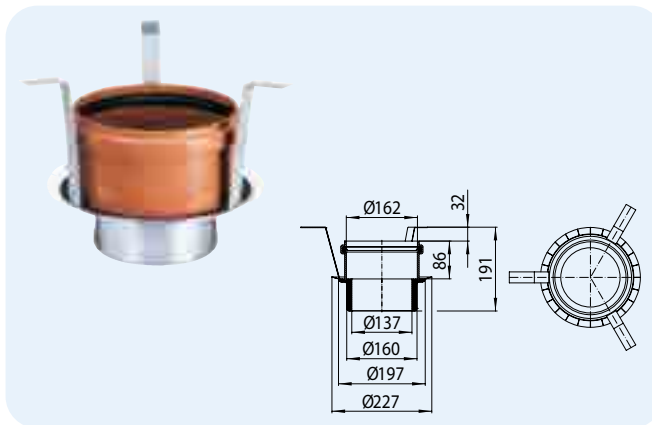


HL-No. 840	Dimension Ø 110 / 93 mm	Weight 830 g	EAN +015184	Piece/package 1
---------------	----------------------------	-----------------	----------------	--------------------

HL870 Fire protection collar

Data

Fire protection class	R90/120
Tapping hole diameter	HL870: Ø 200 mm (196 – 216 mm)
Fits to	HL317 DN110, HL62 DN110

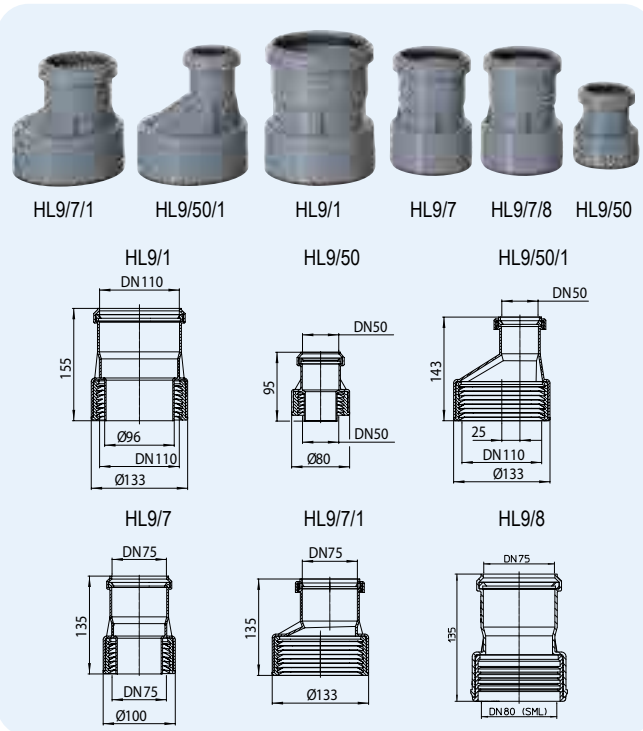


HL-No. 870	Dimension Ø 162 / 137 mm	Weight 1700 g	EAN +030729	Piece/package 1
---------------	-----------------------------	------------------	----------------	--------------------

HL9 Socket connector

Data

Material	PP
Function	Connection between plastic and cast iron or lead pipes in flow direction



HL9/1: HL01064D
 HL9/50: HL01062D
 HL9/50/1: HL01062D
 HL9/7: HL01063D
 HL9/7/8: HL010163D
 HL9/7/1: HL01063D



HL9/1: HL01029D
 HL9/50/1: HL01029D
 HL9/50: HL01027D
 HL9/7: HL01028D
 HL9/7/8: HL01112D
 HL9/7/1: HL01029D

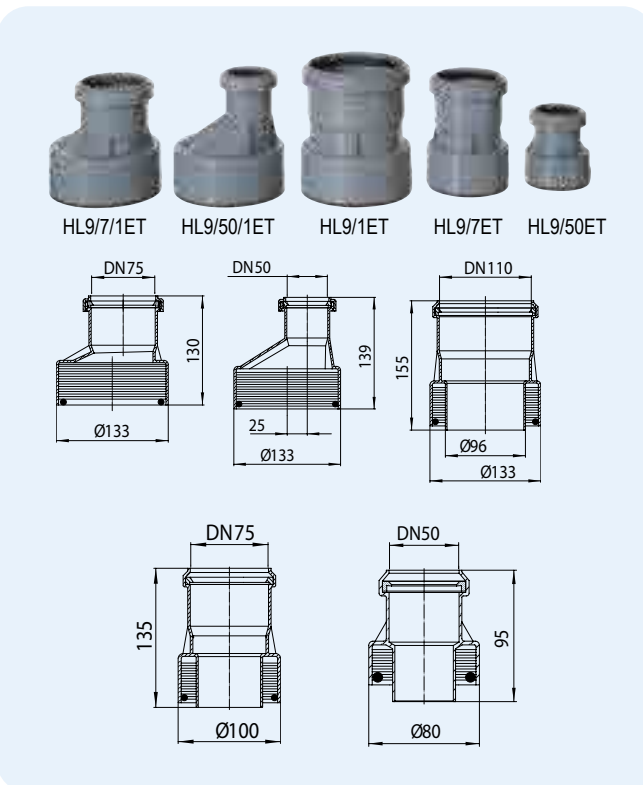


HL-No.	Dimension	Weight	EAN	Piece/package
9/50	DN50	130 g	+900954	1
9/7	DN75	230 g	+900978	1
9/1	DN110	380 g	+909100	1
9/50/1	DN50/110	145 g	+929511	1
9/7/1	DN75/110	150 g	+926719	1

HL9ET Socket connector

Data

Material	PP
Function	Connection between plastic and eternit pipes in flow direction



HL9/1ET: HL01064D
 HL9/50ET: HL01062D
 HL9/50/1ET: HL01062D
 HL9/7ET: HL01063D
 HL9/7/1ET: HL01063D



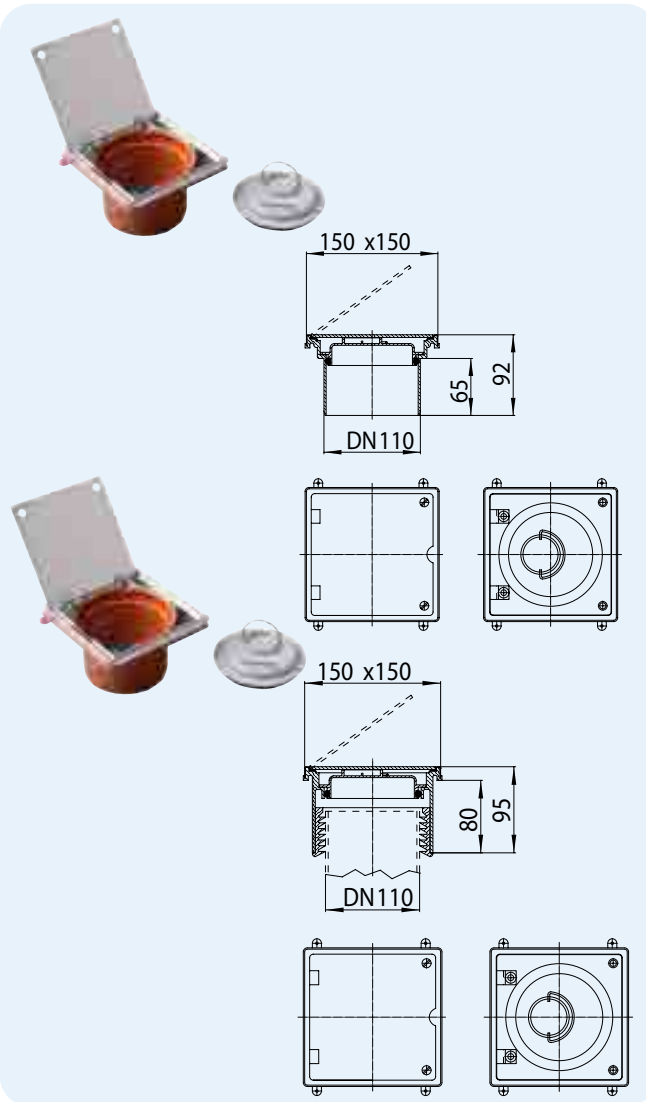
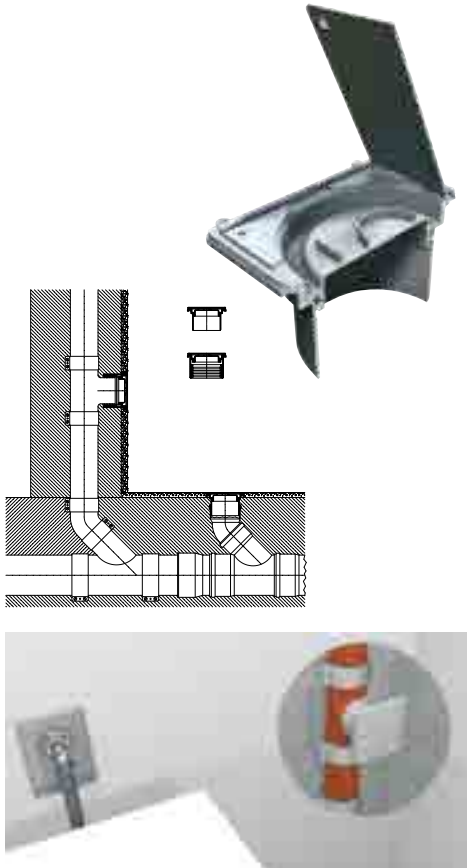
HL9/1ET: HL01083D
 HL9/50ET: HL01085D
 HL9/50/1ET: HL01083D
 HL9/7ET: 01084D
 HL9/7/1ET: HL01083D

HL-No.	Dimension	Weight	EAN	Piece/package
9/50ET	DN50	130 g	+910953	1
9/7ET	DN75	230 g	+910977	1
9/1ET	DN110	380 g	+919109	1
9/50/1ET	DN50/110	145 g	+939954	1
9/7/1ET	DN75/110	150 g	+939978	1

HL98, HL98SML Rodding eye

Data

Material	PP / Stainless steel
Load classification	L15 - max. 1,5 t
Function	For installation in the floor or in the wall, connection to plastic pipe sockets or SML-pipes.

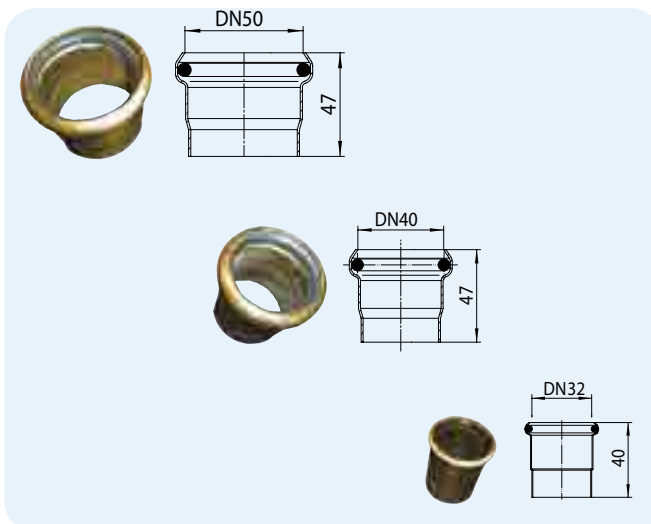


HL-No.	Dimension	Weight	EAN	Piece/package
98	DN110	840 g	+701988	1
98SML	DN110	1040 g	+012688	1

HL5 Brass-soldering connector with O-ring

Data

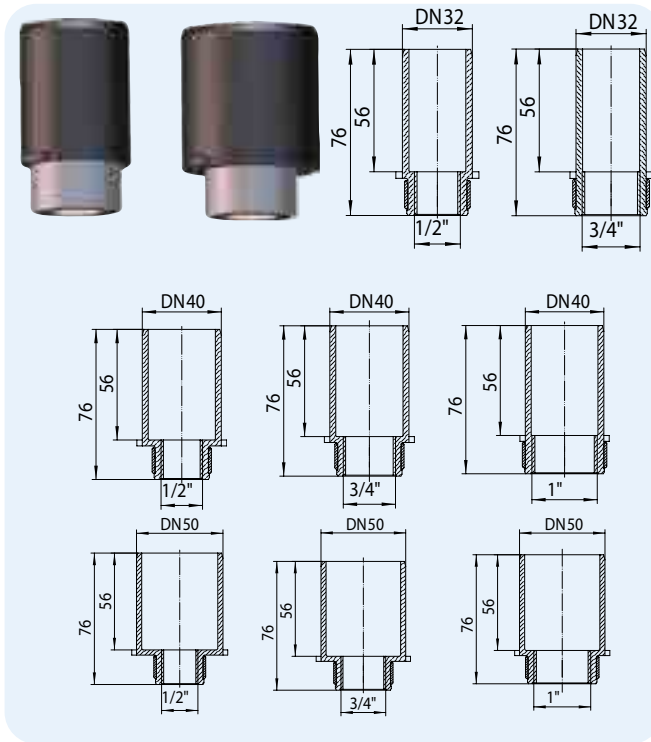
Material	Brass
Function	Connection between plastic and lead in flow direction



HL-No.	Dimension	Weight	EAN	Piece/package
5/30	DN32	20 g	+100538	10
5/40	DN40	60 g	+100057	10
5/50	DN50	80 g	+100552	10

HL30, HL40, HL41 Universal connector
Data

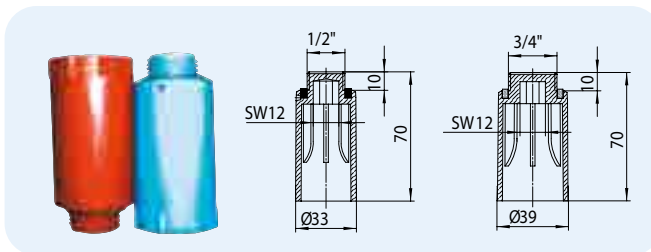
Material PE, pluggable and weldable
 Function Connector for not-pressure pipe works; with stainless steel banding



HL-No.	Dimension	Weight	EAN	Piece/package
30.2	DN32 x R1/2"	30 g	+004461	10
30.3	DN32 x R3/4"	38 g	+004485	10
40.2	DN40 x R1/2"	36 g	+000692	10
40.3	DN40 x R3/4"	44 g	+000470	10
40.4	DN40 x R1"	54 g	+000487	10
41.2	DN50 x R1/2"	42 g	+000517	10
41.3	DN50 x R3/4"	50 g	+000746	10
41.4	DN50 x R1"	60 g	+000432	10

HL42, HL43 Test plug with vent hole
Data

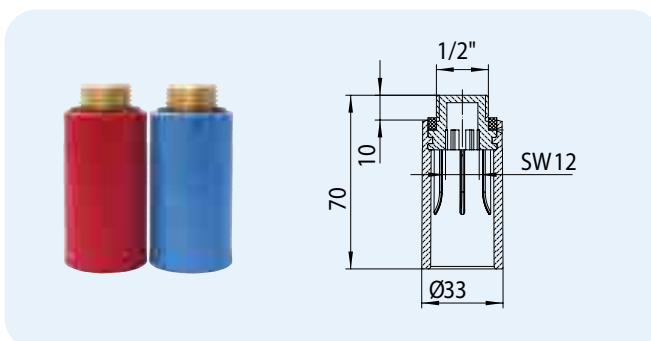
Material PP
 Function Usage only for pressure test!
 Acc. DIN1988/2 not allowed for permanent pressure!
 Additional information Pressure-resistant up to 15 bar, with flat gasket, massive hexagon socket SW12, blue or red



HL-No.	Colour	Dimension	Weight	EAN	Piece/package
42.B	blue	1/2" x Ø 33 mm	23 g	+901425	10
42.R	red	1/2" x Ø 33 mm	23 g	+902422	10
43.B	blue	3/4" x Ø 39 mm	28 g	+901432	10
43.R	red	3/4" x Ø 39 mm	28 g	+902439	10

HL42.MS Test plug with brass thread
Data

Material Brass/PP
 Function Usage for pressure test. Acc. DIN1988/2 a test plug is defined as „permanent tight“ (also after construction time), when it has a metal thread.
 Additional information Pressure-resistant up to 15 bar, with flat gasket, massive hexagon socket SW12, blue or red

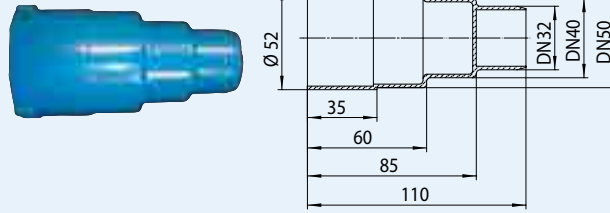


HL-No.	Colour	Dimension	Weight	EAN	Piece/package
42B.MS	blue	1/2" x Ø 33 mm	75 g	+017140	10
42R.MS	red	1/2" x Ø 33 mm	75 g	+017188	10

HL45 Protection plug for drain pipes

Data

Material	PP
Function	To close drainage pipes during construction

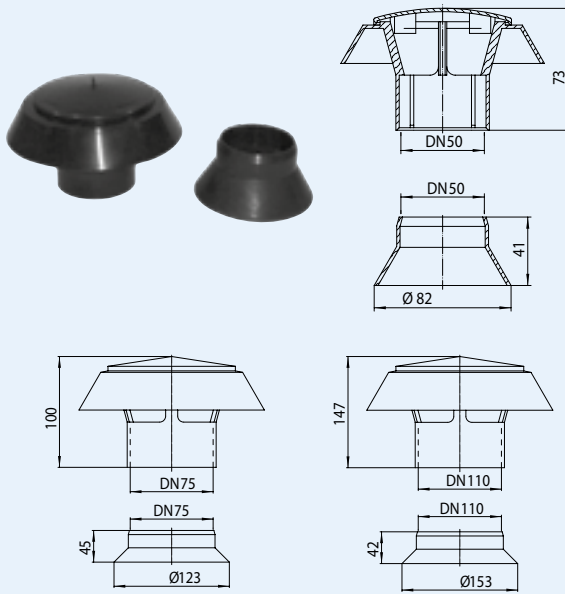
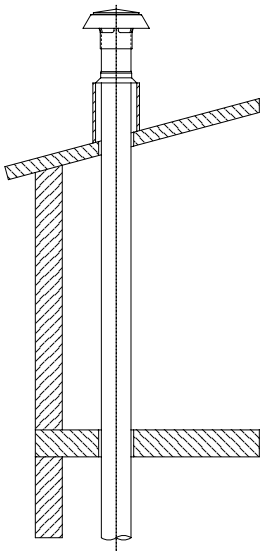


HL-No.	Dimension	Weight	EAN	Piece/package
45	DN32/40/50	27 g	+903450	10

HL805, HL807, HL810 Roof ventpipe fitting

Data

Material	PP
Function	For usage on the roof at the end of downpipes; UV-stabilised



HL805.0: DN50
HL807.0: DN75
HL810.0: DN110

HL805.1: DN50
HL807.1: DN75
HL810.1: DN110

HL-No.	Dimension	Weight	EAN	Piece/package
805	DN50	65 g	+908059	1
807	DN75	140 g	+908073	1
810	DN110	265 g	+908103	1

HL6100 Sound insulation pad

Data

Material Rubber pad, based on recycled rubber and PU-elastomer
 Dimension 500 x 250 x 8 mm
 Fits to shower channels of series HL50



HL-Nr.	Dimension	Weight	EAN	Piece/package
6100	500 x 250 x 8 mm	820 g	+033799	1

HL6200 Sound insulation pad

Data

Material Rubber pad, based on recycled rubber and PU-elastomer
 Dimension 500 x 500 x 8 mm
 Fits to shower channels of HL90, HL300 drains, HL510-series, HL5100



HL-Nr.	Dimension	Weight	EAN	Piece/package
6200	500 x 500 x 8 mm	1640 g	+033805	1

HL6300 Sound insulation pad

Data

Material Rubber pad, based on recycled rubber and PU-elastomer
 Dimension 900 x 450 x 8/4 mm (2 pieces)
 Fits to shower pannel HL523N-90x90



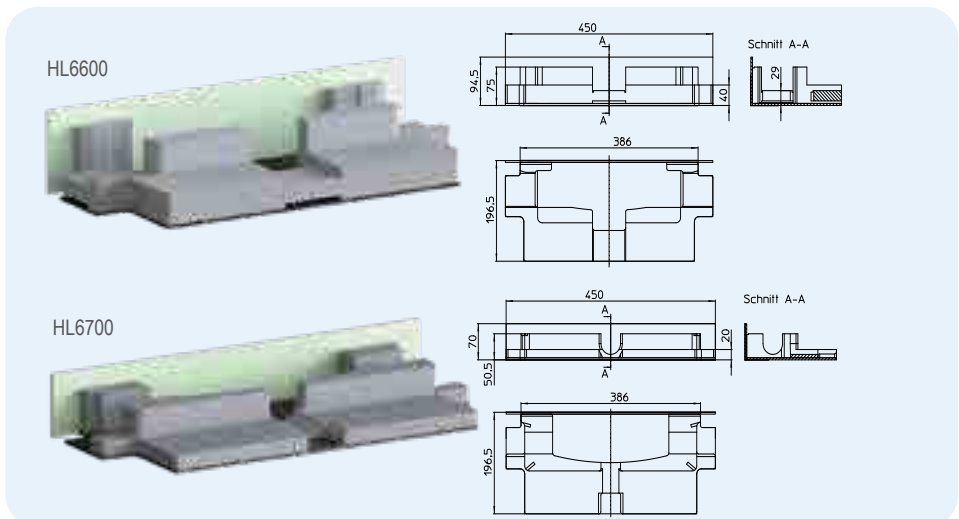
HL-Nr.	Dimension	Weight	EAN	Piece/package
6300	2 Stk. 900 x 450 x 8/4 mm	4540 g	+033812	1

HL6600 Sound insulation pad for HL53.0, HL53Prblue.0

HL6700 Sound insulation pad for HL53FPrblue.0

Data

Material EPS/cork
 Dimensions see techn. drawing
 Fits for drain body HL53.0, HL53Prblue.0 and HL53FPrblue.0



HL-Nr.	Dimension	Weight	EAN	Piece/package
6600	450 x 386 x 196,5 mm	1336 g	+041244	1
6700	450 x 386 x 196,5 mm	1250 g	+041251	1

HL6600.2 Sound insulation pad for HL53Duo.0

Data

Material	EPS/cork
Dimensions	see www.hl.at
Fits for	drain body HL53Duo.0



HL-Nr.	Dimension	Weight	EAN	Piece/package
HL6600.2		1700 g	+047628	1

HL6800 Sound insulation pad for HL531

Data

Material	Rubber, based on recycled rubber and PU-elastomer
Dimensions	1200 x 185 x 4/8 mm
Fits for	HL531Prblue Primus drain



HL-Nr.	Dimension	Weight	EAN	Piece/package
6800	1200 x 185 x 4/8 mm	-	+044672	1

Barriere-free shower systems of HL - with sound protection

Peace and quiet within one's own four walls is a basic need and has a significant impact on our health and quality of life. People who are exposed to constant noise suffer from health problems, according to the World Health Organization (WHO). In addition to an increased risk of heart attack, long-term damage caused by constant exposure to noise include sleep disturbances, depression and hearing damage. Whether a noise is perceived as annoying or not essentially depends on the subjective perception of each individual.

What does the standard say about sound insulation?

The ÖNORM B8115:2021 „Sound insulation and room acoustics in building construction“ is to be applied for the standard-compliant planning of sound insulation, in particular noise from building services (which also includes the barrier-free shower). The prerequisite for the application of this standard is the definition of

the use of individual rooms and their quietness expectation or the sound insulation target. This means that the level of sound insulation must be agreed with the client in advance. With the help of ÖNORM B8115-2:2021 and its methodology, the sound insulation level of the used units is determined. On this basis, the classification of sound insulation for building services can be carried out in accordance with ÖNORM B8115-5:2021 Section 5.8 Table 4. Here, a distinction is made between four sound insulation classes from A (high protection) to sound insulation class E (low sound insulation) and thus the sound insulation quality of a building can be declared. In contrast to the predecessor standard, the current edition of the standard omits the „general requirements for sound insulation“.

HL soundproof shower solutions at the highest level!

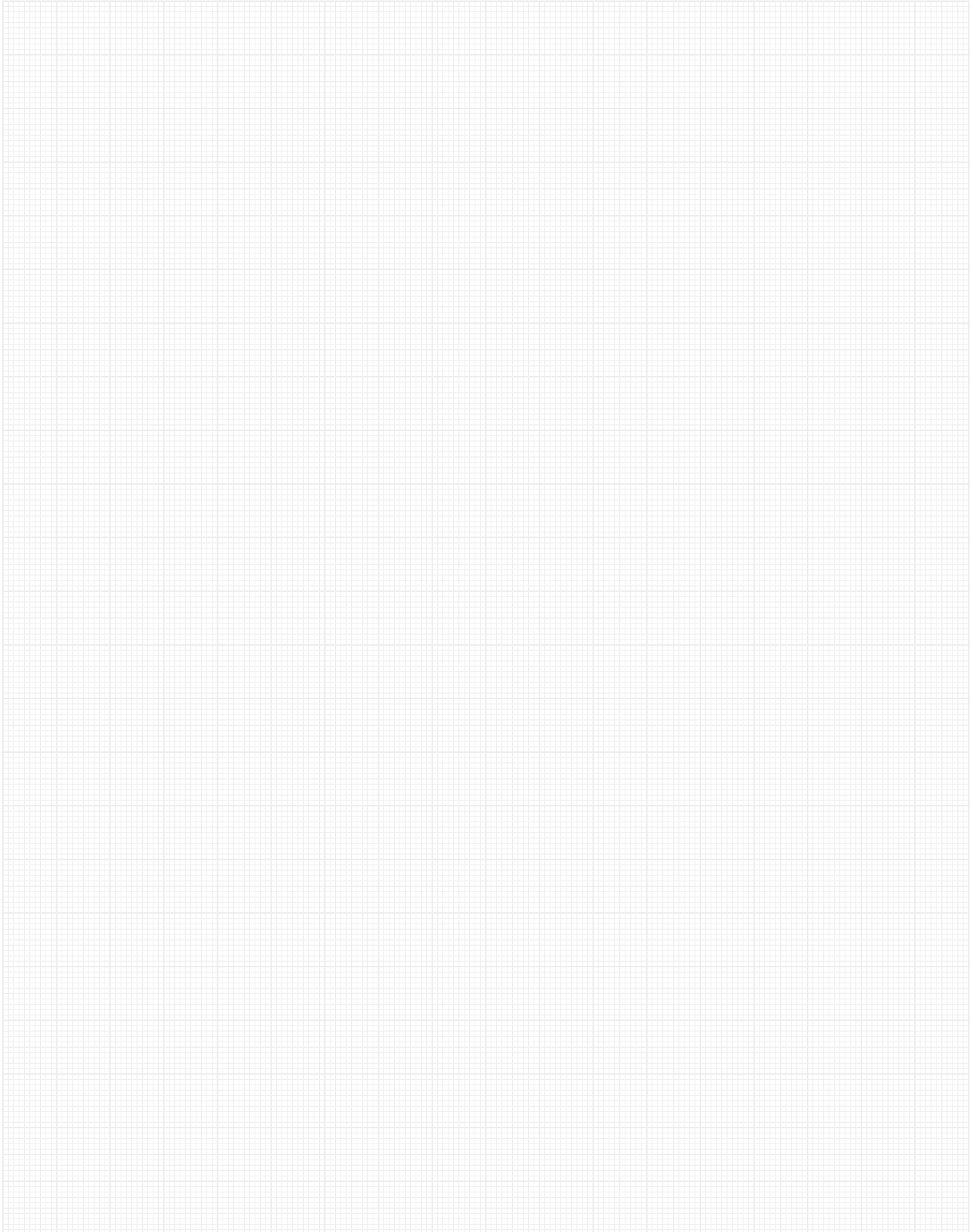
All barrier-free shower solutions listed in the

table have been tested by the renowned Fraunhofer Institute and can be assigned to the (strictest) highest sound insulation class A according to ÖNORM B8115 2:2021 can be assigned. The highest level of safety is thus guaranteed.

Do you need more details about sound insulation or are you looking for the soundproofing reports for the shower solutions then visit www.hl.at, www.siphoniker.at or contact our service hotline
Tel.: +432235 8629144 or write us an email: support@hl.

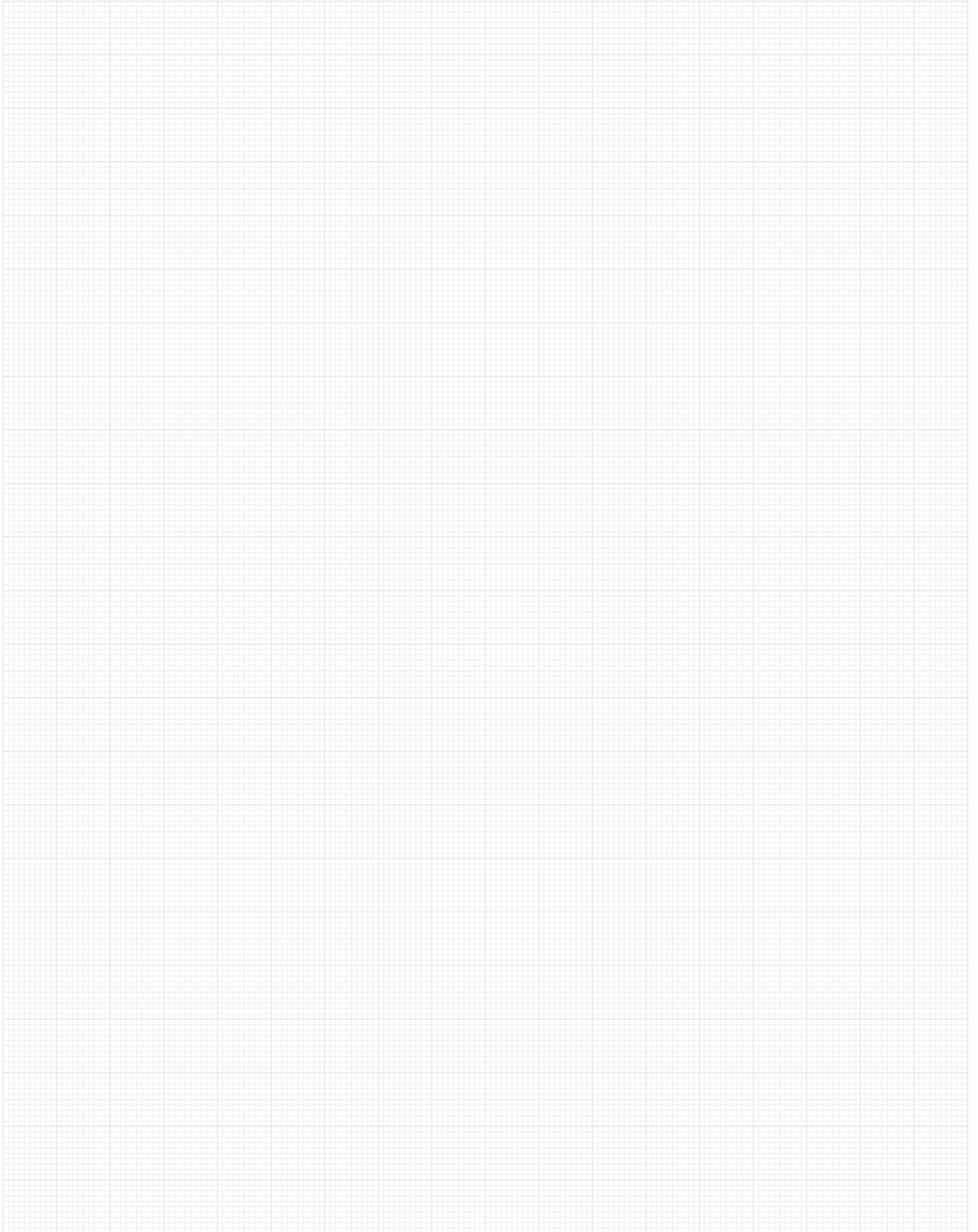
Measured value according to ÖNorm B 8115-2

		Measured value according to ÖNorm B 8115-2
Shower channel HL50 serie		17 dB(A)
Shower channel HL53		12 dB(A)
Shower drains/floor drains HL5100, HL90, HL510		< 10 dB(A)
Shower drain/floor drain HL540[I] HL541[I]		12 dB(A), [11] dB(A) <10 dB(A), [<10 dB(A)]
Shower tray drain HL570 Flexbox		12 dB(A)



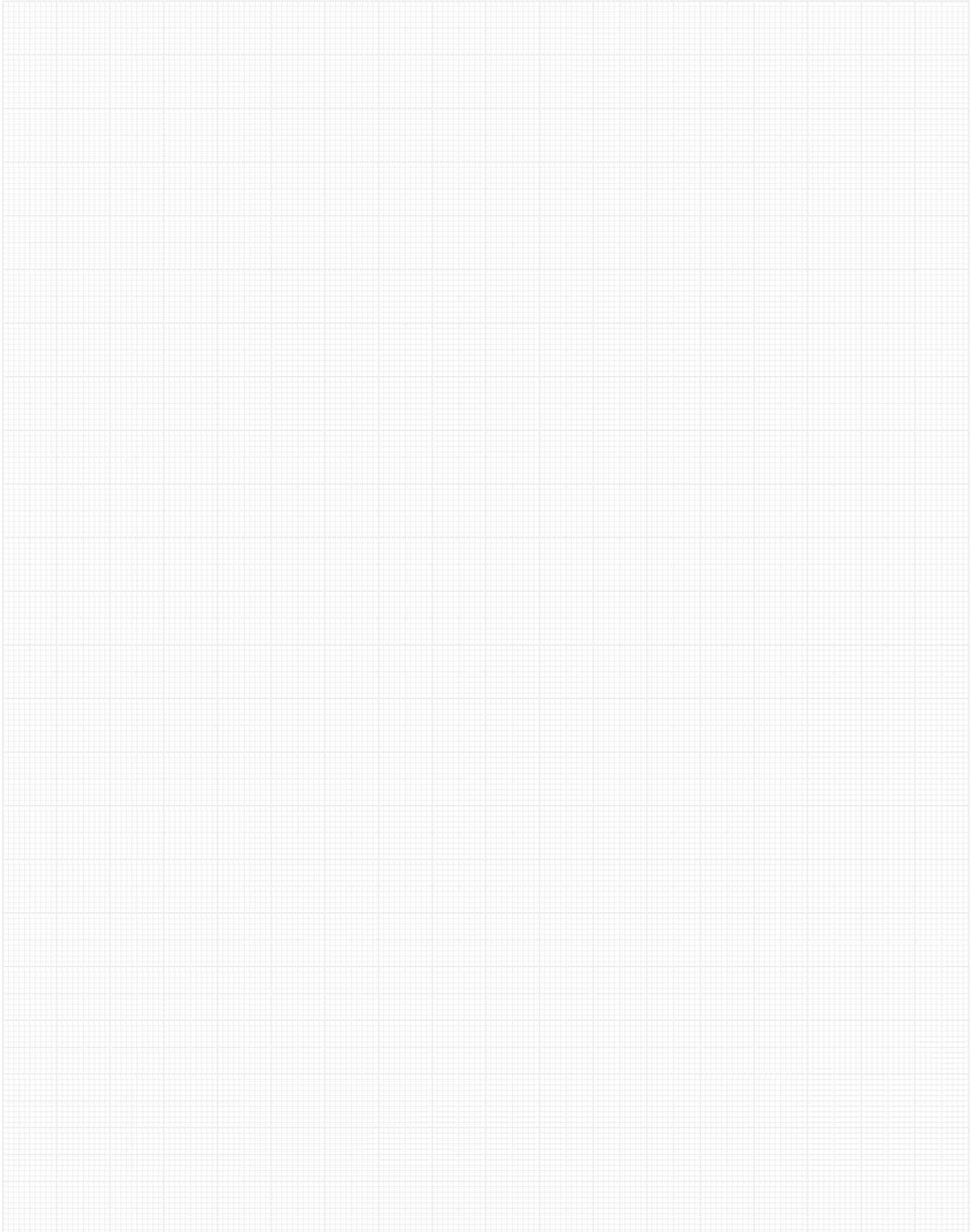


SIPHONS ABLÄUFE





SIPHONS ABLÄUFE





SIPHONS ABLÄUFE

