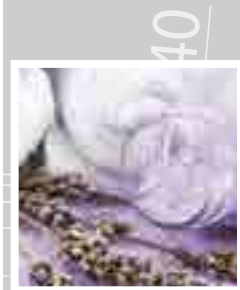




SIPHONS ABLÄUFE



HL Siphons

3. Bath tub

3



Ø 8-1



HL Bath tub siphons

Basic information about design and installation

▲ Design: Easy accessibility

If the bath tub is sheeted, please take care to have an access to the siphon for cleaning and maintainance. ATTENTION: Avoid cleaning with compressed air, as the connection parts in the siphon or in the drain pipe may be splitted.

▲ Solid materials

To guarantee a long lifetime of the bath tub sets, HL only uses solid brass parts.

▲ Easy and quick installation

HL bath tub siphons are equipped with rotatable ball joints, which relieves the installation. All outlets of our siphons are connectable to plug-in sleeve pipes or may be welded with PE-pipes.

▲ Important: Leak test

Both drain connection and overflow connection has to be tested on leakness, as a subsequent correction may cause high costs. The leak test can be made allready during construction, as it is not necessary, to install the visible parts in advance.

Relevant standards/directives

EN 274 Drains and siphons for sanitary equipement

HL Bath tub siphons – Products – Overview

Siphons / valves



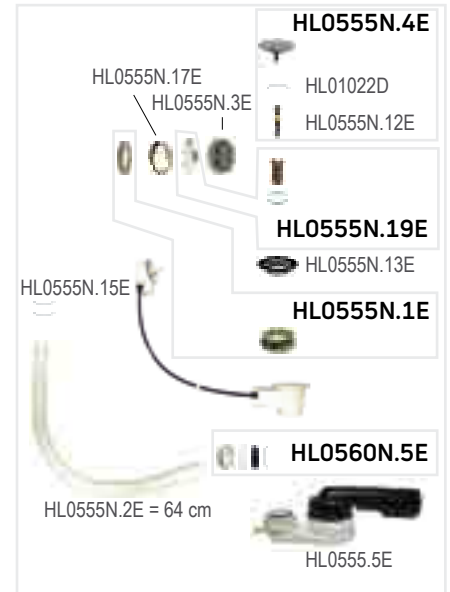
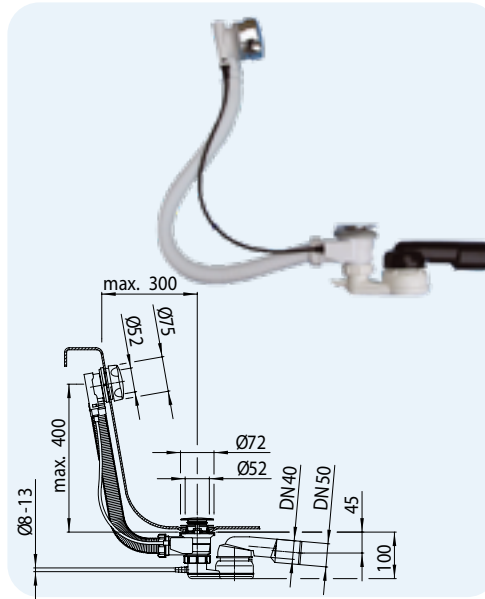
Product	HL555N	HL555N.L.0	HL560N	HL560N.L
Description	Bath tub waste and overflow set	Bath tub waste and overflow set with bowden cable 80cm, without visible parts	Bath tub waste, overflow and water supply set	Bath tub waste, overflow and water supply set with bowden cable 80cm
Function	For siphoning standard bath tubs, opening and closing of the plug is effected by the integrated turning handle in the overflow unit.	For siphoning bath tubs with longer distance between overflow and outlet, opening and closing of the plug is effected by the integrated turning handle in the overflow unit.	Siphoning, water supply, opening/closing of the plug and overflow is situated in the turning handle.	For bath tubs with longer distance between overflow and outlet. Siphoning, water supply, opening/closing of the plug and overflow is situated in the turning handle.

HL Bath tub siphons – Products – Data

HL555N Bath tub waste and overflow set

Data

Capacity	0,67 l/s
Material	PP, outlet pluggable and weldable
Visible parts	Brass, chrome-plated
Connection dimension	6/4"
Outlet dimension	DN40/50, adjustable in length, horizontal. Ball joint: 280° rotatable, 10° inclinable
Standard	EN 274
Height of seal water	50 mm
Additional information	Mechanism with a toothed rack, turning handle, flexible overflow tube, double gasket for the plug, bowden cable made of stainless steel (CrNi 18/10), additional connection Ø 8 – 13 mm for leakage pipes. Usage for bath tubes with max. material thickness of 13mm

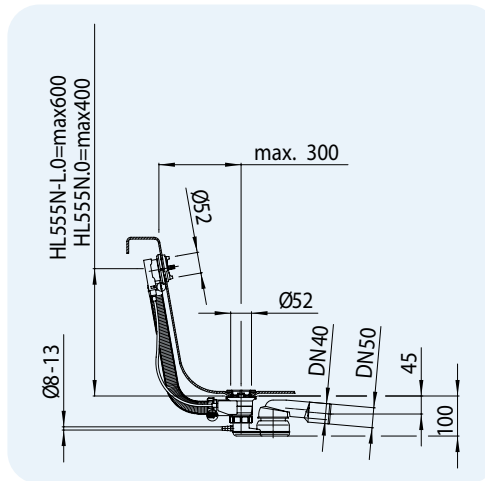


HL-No.	Dimension	Length of the bowden cable	Weight	EAN	Piece/package
555N	DN40/50	60 cm	900 g	+003730	5

HL555N.0, HL555N.L.0 Bath tub waste and overflow set like HL555N, but without visible parts

Data

Capacity	0,67 l/s
Material	PP outlet pluggable and weldable
Visible parts	without visible parts
Connection dimens.	6/4"
Outlet dimension	DN40/50, adjustable in length, horizontal. Ball joint: 280° rotatable, 10° inclinable
Standard	EN 274
Height of seal water	50 mm
Additional information	Mechanism with a toothed rack, turning handle, flexible overflow tube, double gasket for the plug, bowden cable made of stainless steel (CrNi 18/10), additional connection Ø 8 – 13 mm for leakage pipes. Usage for bath tubes with max. material thickness of 13mm



HL-No.	Dimension	Length of the bowden cable	Weight	EAN	Piece/package
555N.0	DN40/50	60 cm	735 g	+003792	5
555N.L.0	DN40/50	80 cm	735 g	+016044	1

HL555N.1 – HL555N.4 Visible parts for the bath tub waste and overflow set HL555N.0 or HL555N.L.0

Data

Material	555N.1: Brass, chrome-plated 555N.2: Solid brass 555N.3: White brass 555N.4: Gold-plated brass
Standard	EN 274

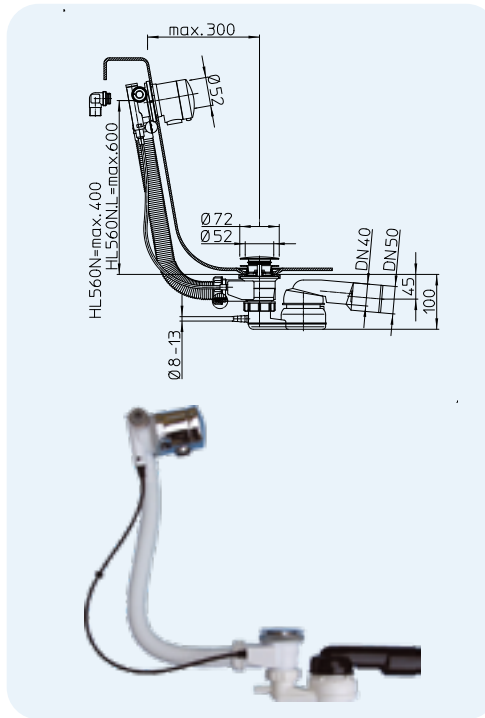


HL-No.	Visible parts	Weight	EAN	Piece/package
555N.1	Brass, chrome-plated	305 g	+003815	1
555N.2	Solid brass	305 g	+003839	1
555N.3	White brass	305 g	+003877	1
555N.4	Gold-plated brass	305 g	+003891	1

HL560N, HL560N.L Bath tub waste and overflow set with integrated water supply

Data

Capacity	0,67 l/s
Material	PP, outlet pluggable and weldable
Visible parts	Brass, chrome-plated
Connection dimension	6/4"
Outlet dimension	DN40/50, adjustable in length, horizontal. Ball joint: 280° rotatable, 10° inclinable
Water supply	integrated , 3/4" connection left or right
Standard	EN 274
Height of seal water	50 mm
Additional information	Mechanism with a toothed rack, turning handle, flexible overflow tube, double gasket for the plug, bowden cable made of stainless steel (CrNi 18/10), additional con- nection Ø 8 – 13 mm for leakage pipes. Usage for bath tubes with max. material thickness of 13mm

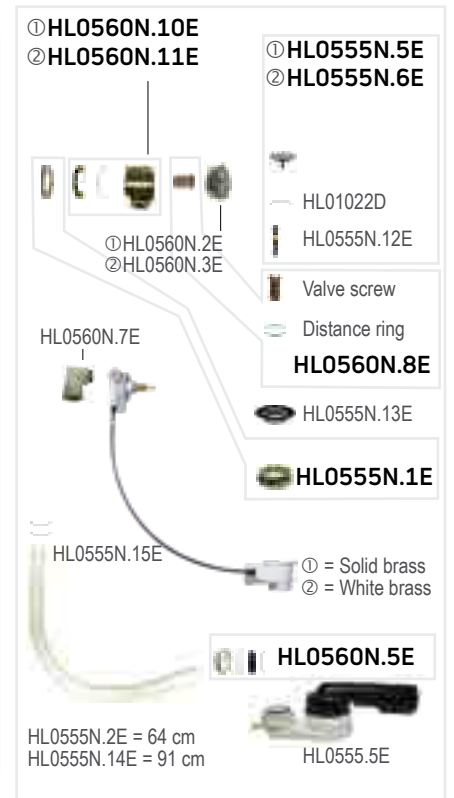
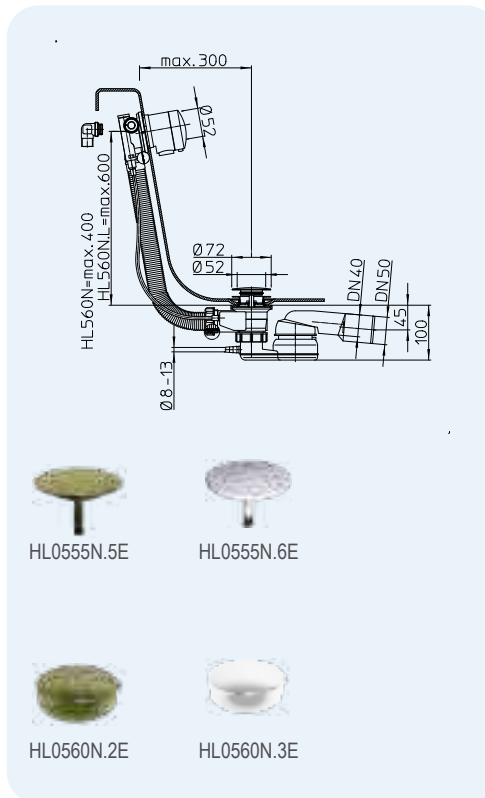


HL-No.	Dimension	Length of the bowden cable	Weight	EAN	Piece/package
560N	DN40/50	60 cm	2340 g	+012428	1
560N.L	DN40/50	80 cm	2345 g	+012503	1

HL560N.2(3) Bath tub waste and overflow set ... like HL560, but visible parts in different colours

Data

Capacity	0,67 l/s
Material	PP outlet pluggable and weldable
Visible parts	HL560N.2: Solid brass HL560N.3: White brass
Connection dimension	6/4"
Outlet dimension	DN40/50, adjustable in length, horizontal. Ball joint: 280° rotatable, 10° inclinable
Water supply	integrated , 3/4" connection left or right
Standard	EN 274
Height of seal water	50 mm
Additional information	Mechanism with a toothed rack, turning handle, flexible overflow tube, double gasket for the plug, bowden cable made of stainless steel (CrNi 18/10), additional connection Ø 8 – 13 mm for leakage pipes. Usage for bath tubes with max. material thickness of 13mm

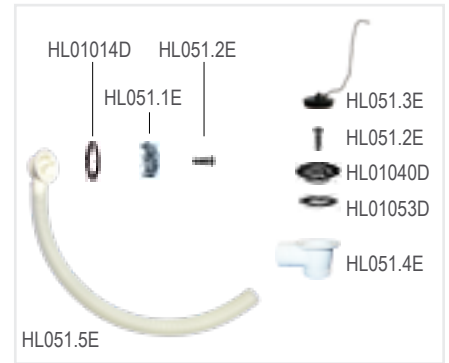
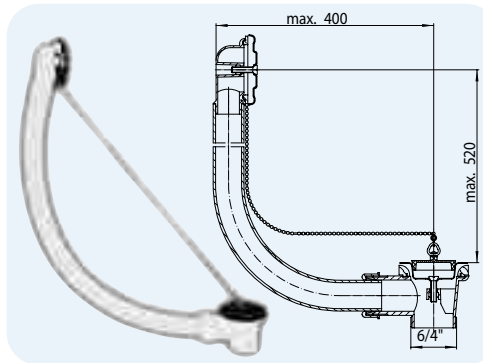


HL-No.	Visible parts	Length of the bowden cable	Weight	EAN	Piece/package
560N.2	Solid brass	60 cm	2340 g	+012442	1
560N.3	White brass	60 cm	2340 g	+012466	1

HL51 Bath tub waste and overflow set with chain and plug

Data

Capacity	0,92 l/s
Material	PP
Connection dimension	6/4"
Outlet dimension	vertical 6/4" male thread
Standard	EN 274
Recommended for	also for shower trays and degraded tubs

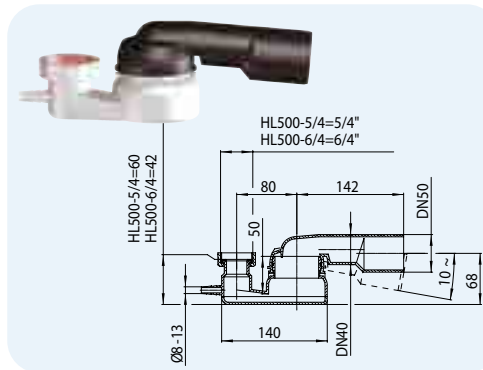


HL-No.	Dimension	Weight	EAN	Piece/package
51	6/4"	290 g	+300518	1

HL500 Bath tub siphon with ball-joint

Data

Capacity	0,83 l/s
Material	PP, outlet pluggable and weldable
Connection dimension	6/4"
Outlet dimension	DN40/50, adjustable in length, horizontal. Ball joint: 280° rotatable, 10° inclinable
Standard	EN274
Height of seal water	50 mm
Additional information	Additional connection of e.g. leakage tubes Ø 8 - 13 mm

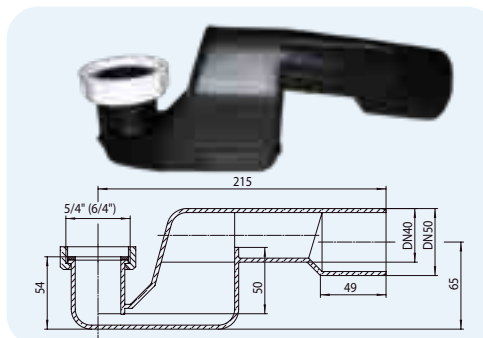


HL-No.	Dimension	Thread	Weight	EAN	Piece/package
500-5/4	DN40/50 x 5/4"	5/4"	90 g	+350056	10
500-6/4	DN40/50 x 6/4"	6/4"	90 g	+350063	10

HL500N Bath tub siphon

Data

Capacity	0,52 l/s
Material	PE: pluggable and weldable
Connection dimension	500N-5/4: Thread 5/4" 500N-6/4: Thread 6/4"
Outlet dimension	DN40/50 adjustable in length, horizontal
Standard	EN274
Height of seal water	50 mm
Additional information	without ball-joint

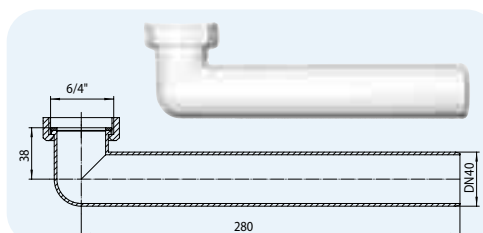


HL-No.	Dimension	Weight	EAN	Piece/package
500N-5/4	DN40/50 x 5/4"	80 g	+350155	10
500N-6/4	DN40/50 x 6/4"	80 g	+350162	10

HL16 Elbow connector

Data

Material	PP
Connection dimension	Thread 6/4"
Outlet dimension	horizontal, DN40
Standard	EN 274



HL-No.	Dimension	Weight	EAN	Piece/package
16	DN40 x 6/4"	80 g	+300167	1

