



SIPHONS ABLÄUFE



HL Connectors

8. Toilet

8



## HL Toilet connectors

### Basic information about design and installation

HL supplies fitting connectors for every kind of toilet, which match with modern installation technology, functionally and visually. The plumber should take care on the following topics:

#### ▲ Tightness

Please check the diameter of the outlet of the toilet facility, before connecting to the drainage system. As this connection is mostly behind the wall or in the floor, leakage in this area might be very unpleasant. Note: Outer diameter 102mm, tolerance +/- 5 mm.

#### ▲ Flexibility

When installing a toilet on the floor, sometimes the problem occurs, that the position of the outlet pipe is imprecise. This may be solved by using excentric connectors or rosettes.

#### ▲ Material

The usage of high-quality material guarantees a long lifetime. When leakiness occurs, the gasket easily may be changed.

#### Relevant standards/directives

DIN 19560 ..... Pipes and fittings made of PP inside the building

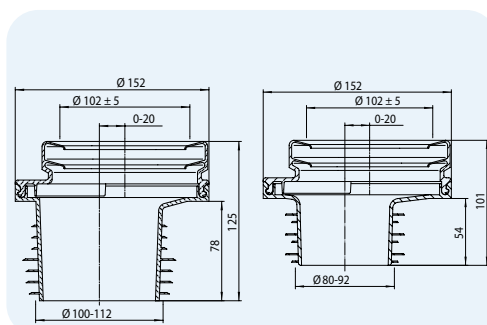
DIN 1389 ..... Toilet connection fittings

## HL Toilet connectors – Products – Data

### HL200 Toilet connector with excentric sleeve

#### Data

Material	PE-soft
Connection dimension	Ø 102 ± 5 mm
Outlet dimension	HL200/1: Ø 100 – 112 mm HL200/90: Ø 80 – 92 mm
Standard	DIN 1389
Recommended for	Toilet bowls with vertical outlet
Additional information	with multiple lip-seal, 20mm excentricity

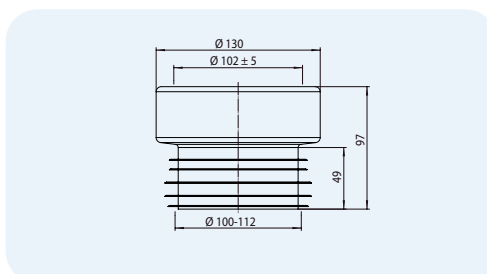


HL-No.	Dimension	Weight	EAN	Piece/package
200/1	DN110	225 g	+502004	10
200/90	DN90	220 g	+200900	10

### HL201 Toilet connector

#### Data

Material	PE-soft
Connection dimension	Ø 102 ± 5 mm
Outlet dimension	Ø 100 – 112 mm
Standard	DIN 1389
Recommended for	Toilet bowls with vertical outlet
Additional information	with multiple lip seal

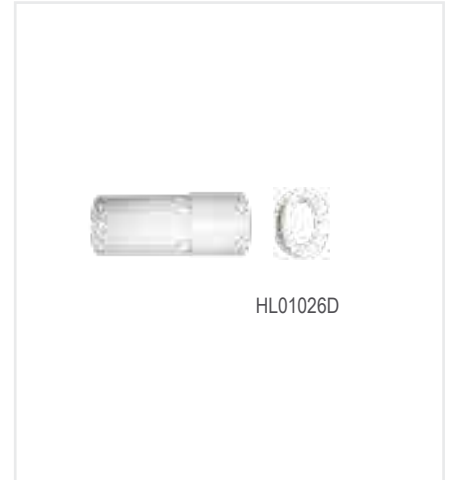
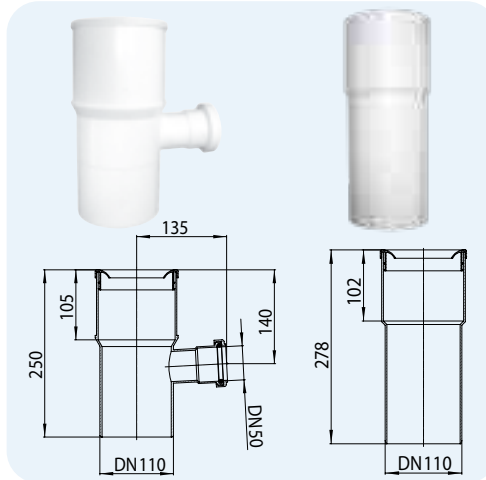


HL-No.	Dimension	Weight	EAN	Piece/package
201	DN110	110 g	+502011	10

## HL202 Pan connector HL202G Toilet connector

### Data

Material	PP
Connection dimension	HL202: $\varnothing 102 \pm 5$ mm/DN50 HL202G: $\varnothing 102 \pm 5$ mm
Outlet dimension	DN110
Standard	DIN 1389
Recommended for	Toilet bowls with vertical outlet
Additional information	with gasket

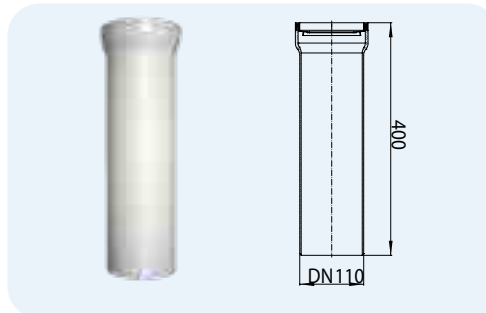


HL-No.	Dimension	Weight	EAN	Piece/package
202	DN100 x DN50	275 g	+502028	15
202G	DN110	275 g	+512027	15

## HL203 Toilet connector white

### Data

Material	PP
Connection dimension	$\varnothing 97 - 110$ mm
Outlet dimension	DN110
Standard	DIN 1389
Recommended for	Toilet bowls with horizontal outlet
Additional information	with flexible gasket and ring

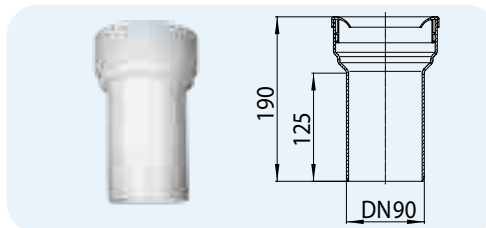


HL-No.	Dimension	Weight	EAN	Piece/package
203/1	DN110	215 g	+502035	10

## HL203/90 Toilet connector white

### Data

Material	PP
Connection dimension	$\varnothing 102 \pm 5$ mm
Outlet dimension	DN90
Standard	DIN 1389
Recommended for	Toilet bowls with horizontal outlet
Additional information	with gasket

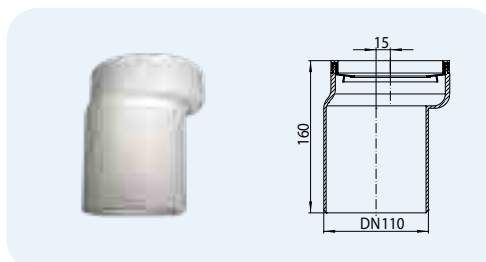


HL-No.	Dimension	Weight	EAN	Piece/package
203/90WE	DN90	190 g	+502134	25

## HL204 Discharged toilet connector white

### Data

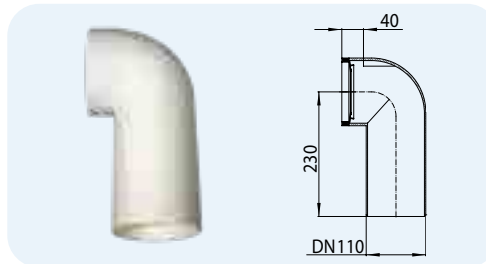
Material	PP
Connection dimension	$\varnothing 97 - 110$ mm
Outlet dimension	DN110
Standard	DIN 1389
Recommended for	Toilet bowls with horizontal outlet
Additional information	15 mm discharged, with gasket and ring



HL-No.	Dimension	Weight	EAN	Piece/package
204	DN110	220 g	+502042	1

**HL205 Toilet elbow-connector, white**
**Data**

Material	PP
Connection dimension	Ø 97 – 110 mm
Outlet dimension	DN110
Standard	DIN 1389
Recommended for	Toilet bowls with horizontal outlet
Additional information	with gasket and ring



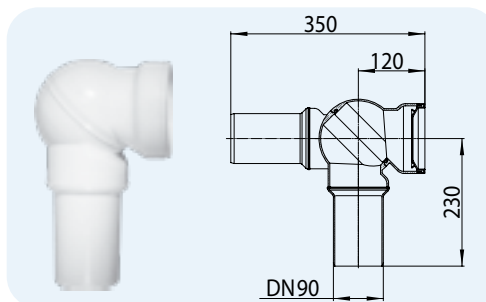
HL-No.	Dimension	Weight
205	DN110	220 g



HL0203.1E	Piece/package
HL01025D	10
EAN	
+502059	

**HL209 Toilet elbow-connector, white with ball-joint**
**Data**

Material	PP
Connection dimension	Ø 97 – 110 mm
Outlet dimension	DN90
Standard	DIN 1389
Recommended for	Toilet bowls with horizontal outlet
Additional information	with ball-joint, gasket and ring



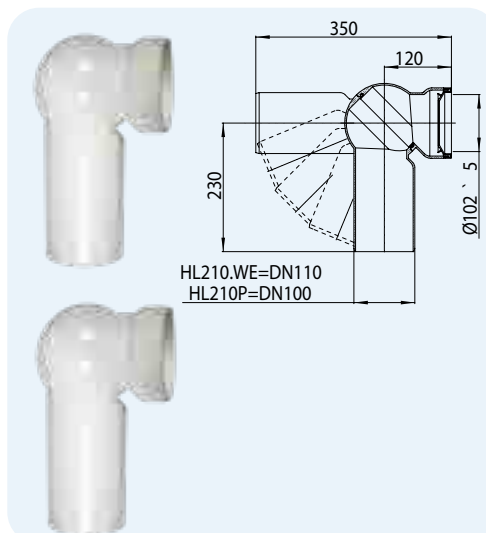
HL-No.	Dimension	Weight
209.WE	DN110 x DN90	405 g



HL0203.1E	Piece/package
HL01025D	10
EAN	
+502097	

**HL210 Toilet elbow-connector, white with ball-joint**  
**HL210P like HL210 but PVC DN100**
**Data**

Material	HL210.WE: PP HL210P: PP/PVC
Connection dimension	Ø 97 – 110 mm
Outlet dimension	HL210.WE: DN110 HL210P: DN100
Standard	DIN 1389
Recommended for	Toilet bowls with horizontal outlet
Additional information	with ball-joint, gasket and ring, product "P": outlet made of PVC



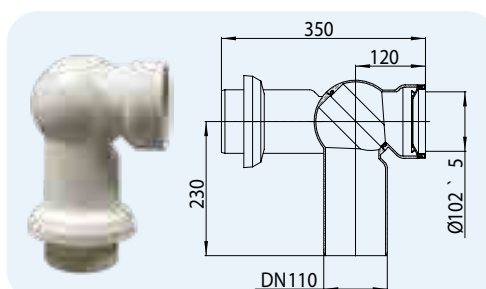
HL-No.	Dimension	Weight
210.WE	DN110	430 g
210P	DN100	540 g



HL0203.1E	Piece/package
HL01025D	10
EAN	
+502103	
+502110	1

**HL210.7 Toilet elbow-connector, white with ball-joint and rosette**
**Data**

Material	PP
Connection dimension	Ø 97 – 110 mm
Outlet dimension	DN110
Standard	DIN 1389
Recommended for	Toilet bowls with horizontal outlet
Additional information	with ball-joint, rosette HL7EL, gasket and ring



HL-No.	Dimension	Weight
210.7WE	DN110	475 g

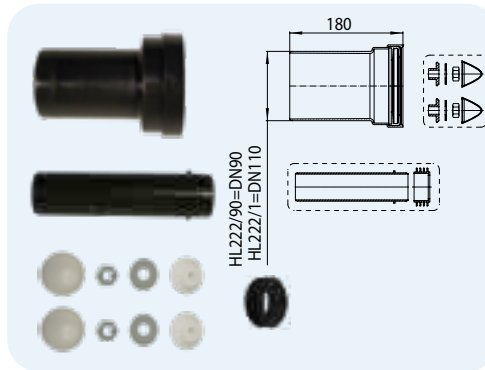


HL0203.1E	Piece/package
HL01025D	5
HL7EL.WE	
EAN	
+502172	

## HL222 Toilet connector kit

### Data

Material	PP
Connection dimension	Ø 102 ± 5 mm
Outlet dimension	HL222/1: DN110 HL222/90: DN90
Standard	DIN 1389
Recommended for	Connection of waste and rinse water for wall-toilets
Additional information	Installation set available in delivery

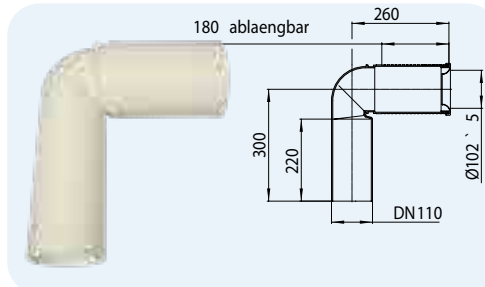


HL-No.	Dimension	Weight	EAN	Piece/package
222/1	DN110	325 g	+502226	1
222/90	DN90	310 g	+522293	1

## HL224 Toilet elbow-connector

### Data

Material	PP
Connection dimension	Ø 102 ± 5 mm
Outlet dimension	DN110
Standard	DIN 1389
Recommended for	Toilet bowls with horizontal outlet
Additional information	with cuttable inlet part and gasket

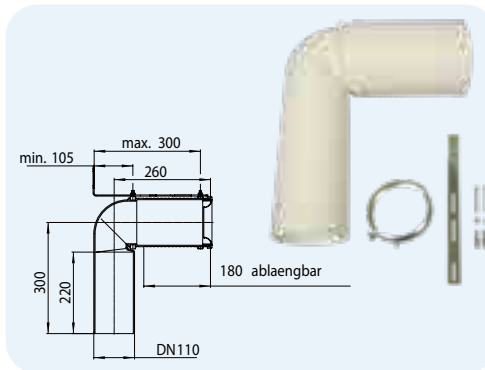


HL-No.	Dimension	Weight	EAN	Piece/package
224.WE	DN110	600 g	+502240	5

## HL224.1 Toilet elbow-connector with pipe clip and fixing bracket

### Data

Material	PP
Connection dimension	Ø 102 ± 5 mm
Outlet dimension	DN110
Standard	DIN 1389
Recommended for	Toilet bowls with horizontal outlet
Additional information	with cuttable inlet part, gasket, bracket and clip for toilet bowls with „Vario“-outlet

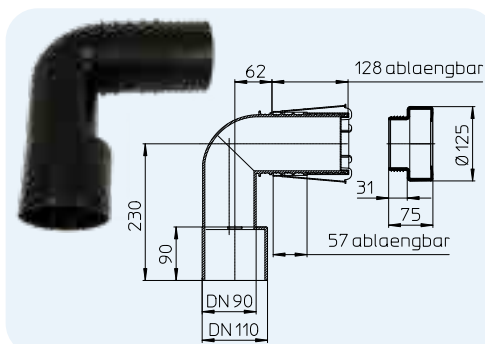


HL-No.	Dimension	Weight	EAN	Piece/package
224.1	DN110	1205 g	+512249	1

## HL225/90 Toilet elbow-connector

### Data

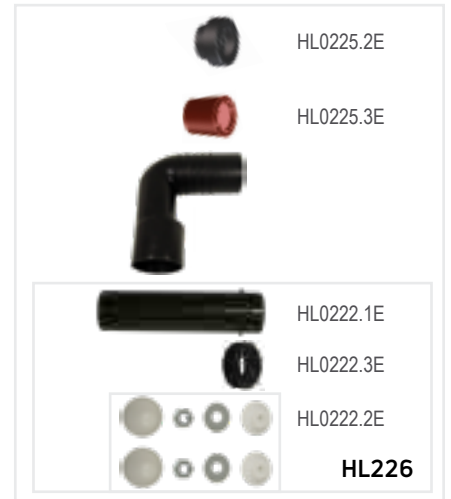
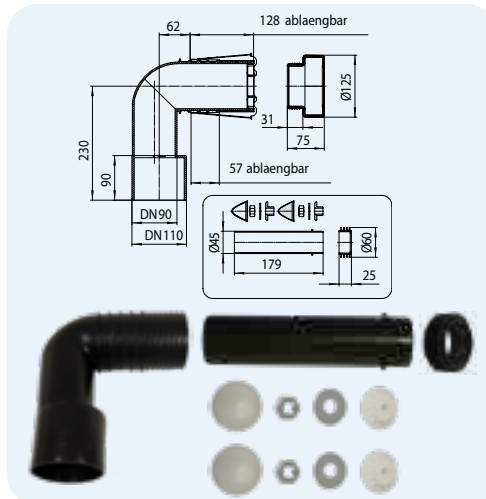
Material	PE
Connection dimension	Ø 97 – 110 mm
Outlet dimension	DN90/110
Standard	DIN 1389
Recommended for	Connectible to all 4 shell rings spots to ensure optimal connection
Additional information	cuttable inlet part, no connection to the wall, rubber gasket with support tube and lot cover



HL-No.	Dimension	Weight	EAN	Piece/package
225/90	DN90/110	860 g	+225903	5

**HL225.1/90 Toilet elbow-connector with connector kit HL226**
**Data**

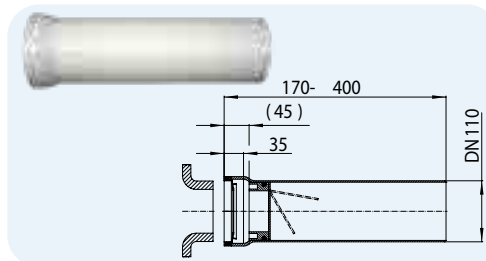
Material	PE
Connection dimension	Ø 97 – 110 mm
Outlet dimension	DN90/110
Standard	DIN 1389
Recommended for	Connectible to all 4 shell rings spots to ensure optimal connection
Additional information	cuttable inlet part, no connection to the wall, rubber gasket with support tube and lot cover



HL-No.	Dimension	Weight	EAN	Piece/package
225.1/90	DN90/110	980 g	+225194	5

**HL703 Toilet elbow-connector with connector kit HL226**
**Data**

Material	PP
Connection dimens.	Ø 97 – 110 mm
Outlet dimension	DN110
Standard	DIN 1389
Recommended for	"Problem-solver" for toilet bowls with backflush, caused by incorrect drainage
Additional information	with gasket and ring

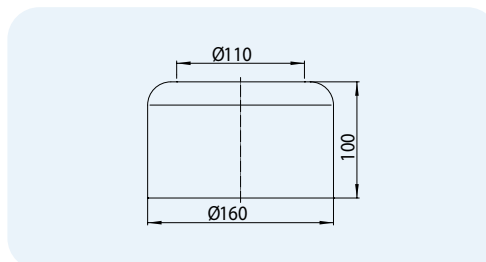


HL-No.	Dimension	Weight	EAN	Piece/package
703	DN110	530 g	+507030	1

## HL Toilet connectors – Accessories – Data

**HL7.WE Splitted toilet rosette**
**Data**

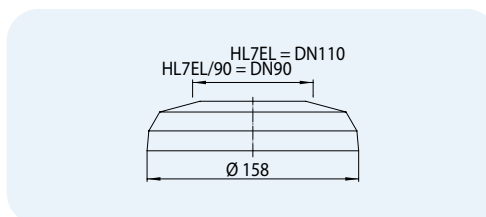
Material	PP
Connection dimension	Ø 160 mm
Outlet dimension	Ø 160 mm
Recommended for	visual aprovement of wall or floor connections
Additional information	splittable rosette for finished installations



HL-No.	Dimension	Weight	EAN	Piece/package
7.WE	DN110	140 g	+502073	30

**HL7EL Elastic toilet rosette, white**
**Data**

Material	PE-soft
Connection dimension	HL7EL.WE: DN110 HL7EL/90: DN90
Outlet dimension	Ø 158 mm
Recommended for	visual aprovement of wall or floor connections
Additional information	elastic rosette



HL-No.	Dimension	Weight	EAN	Piece/package
7EL	DN110	45 g	+500079	5
7EL/90.WE	DN90	45 g	+501076	5